

GRAIN CONVEYING

# AIR SYSTEMS



**PROVEN & DEPENDABLE™**

[WWW.GRAINSYSTEMS.COM](http://WWW.GRAINSYSTEMS.COM)



# PROVEN & DEPENDABLE

The demands of farming are never ending. The risks are high. Each year you have one shot at your crop's yield, strategically navigating through all the challenges Mother Nature throws your way. And, at harvest, every second counts. The window of opportunity from field to storage is narrow, so you need storage solutions that maximize productivity and minimize downtime.

Years of hard work powered by a single vision to design and deliver world-class products have built this company from the ground up. For more than 40 years, it is this dedication and commitment that have resulted in GSI becoming the world's number one manufacturer of grain bins. However, it is your dedication to farming that keeps us striving to create the best and most reliable grain systems today and for generations to come.

Never satisfied with the status quo, we are driven to provide top-of-the-line products that will protect, condition and move the grain you work so hard to produce. We are committed each and every day to provide the best service possible by establishing lasting relationships with our worldwide network of dealers and customers just like you who use our products.

We're always growing, but we will never lose sight of the relationships that got us here in the first place. While our commitment to remain at the top runs deep, our commitment to you runs even deeper.

## **THAT'S WHY GSI.**

The perfect companion for any new or existing grain drying and storage facility is a GSI Air System. By utilizing pneumatic conveying, our systems employ a combination of current technology and natural air flow to provide an efficient and reliable method for moving grain. Conveying tubes deliver a cushion of air to move the grain which minimizes grain damage and maximizes efficiency. These convenient systems are easy to install, maintain and expand.



## GRAIN CONVEYING AIR SYSTEMS

GSI Air Systems are available in four models in a wide range of capacities to handle the unique requirements of your operation. The flexible design will meet your needs today, while keeping an eye on future expansion. The Air System is built to last with heavy-duty cast iron rotary airlocks, positive displacement blower units, industrial air cleaner filters and thermally protected motors.



### INLINE AIR VALVE

Our patented (US 8784013) inline air valve allows you to simplify your operation without compromising functionality. A single tube can run to multiple bins in a series, reducing ground clutter. The valve also affords the ability to switch bins without shutting down the air system. Its key components are constructed of corrosion-resistant stainless steel and aluminum. The durable powdercoat-over-galvanized finish stands tough against the elements. For added flexibility, an optional inlet hopper may be added to load a bin with a transport auger.



### ROTARY AIR LOCK TRANSITION

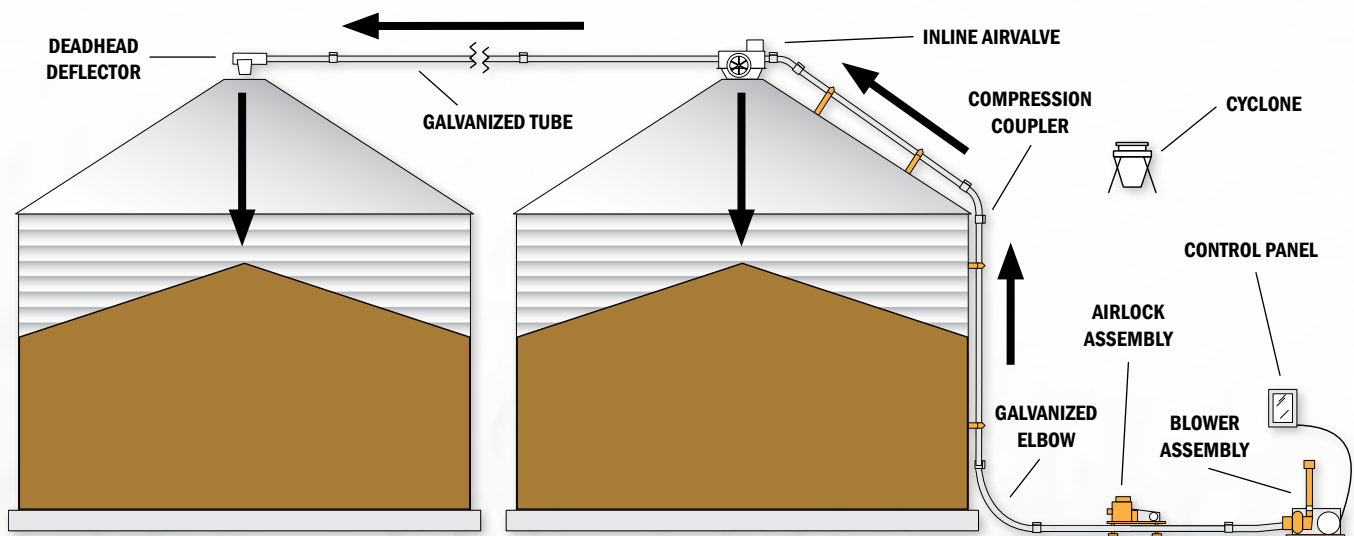
The Rotary Air Lock accurately feeds grain into the system by locking pressurized air in the system, avoiding air loss which can reduce capacity. The heavy duty cast iron air lock features a built-in shear protector to prevent grain damage.



### CONTROL CENTER

The Air Systems control center is easy to read and operate. In addition to rotary air lock and blower unit power buttons, the control center includes an amp-meter for the blower motor and an adjustable time-delay switch which gives the system additional time to clear prior to shut-down. A dryer can also be integrated to automatically run with the same fail-safe features. The UL and UL-C listed panels are certified for use in the US and Canada. The NEMA 3R-rated enclosure is galvanized steel with a powdercoat finish. Panels are offered in 230, 460 & 575 volt models.

The Air System's blower sends clean air flowing through the air lock assembly where the grain is fed into the system. The Air System then efficiently transfers grain through galvanized tubing on a cushion of air, minimizing grain damage.

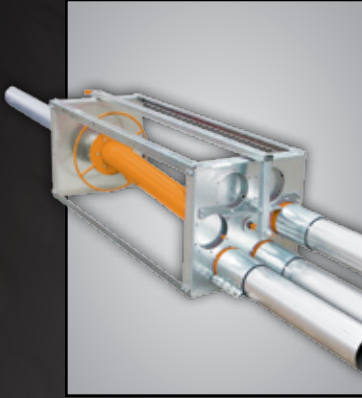




# OPTIONS AND ACCESSORIES

WWW.GRAINSYSTEMS.COM

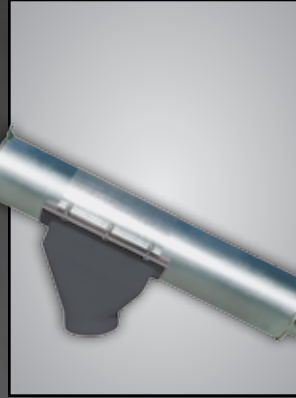
Our complete line of accessories and tubing allows for simple installation and inexpensive expansion.



CA-SELECT™ VALVE



TELESCOPING FEMALE



DEADHEAD



PRE-CLEANER

## GSI AIR SYSTEM SPECIFICATIONS

Effective length is determined by adding the horizontal length to twice the vertical height plus 10 feet for each elbow greater than 45 degrees. Calculate the effective length of inclined systems by adding the horizontal run to twice the vertical rise of the incline.

## CAPACITIES FOR 4", 5", AND 6" SYSTEMS

EFFECTIVE LENGTH (FT.)	TRANS-FER™ 700 4" SYSTEM			TRANS-FER™ 1200 5" SYSTEM		TRANS-FER™ 1700 5" SYSTEM			TRANS-FER™ 2100 6" SYSTEM			
	10 HP	15 HP	20 HP	20 HP	30 HP	20 HP	30 HP	40 HP	40 HP	50 HP	60 HP	75 HP
50	525	800	850	1100	1300	1200	1600	1800	1900	2200	2350	2500
100	500	775	825	1075	1275	1175	1575	1775	1875	2175	2325	2475
150	475	750	800	1050	1250	1150	1550	1750	1850	2150	2300	2450
200	450	700	750	1000	1200	1100	1500	1700	1800	2100	2250	2400
250	400	650	700	925	1125	1025	1400	1600	1700	2000	2150	2300
300	350	575	625	825	1025	925	1275	1450	1550	1850	2000	2150
350	245	475	525	700	900	800	1100	1275	1375	1675	1825	1975
400	200	350	400	550	750	650	900	1050	1150	1450	1600	1750
450			225	350	550	450	650	775	875	1175	1325	1475
500								400	500	800	950	1100

Capacities for grains other than dry corn will be less. Consult your GSI dealer for rates.

**TO FIND YOUR LOCAL GSI DEALER,  
VISIT THE GSI DEALER LOCATOR  
AT WWW.GRAINSYSTEMS.COM**



Copyright ©2015 All rights reserved.  
GSI reserves the right to change  
designs and specifications without notice.

**GS-116 JULY/15**