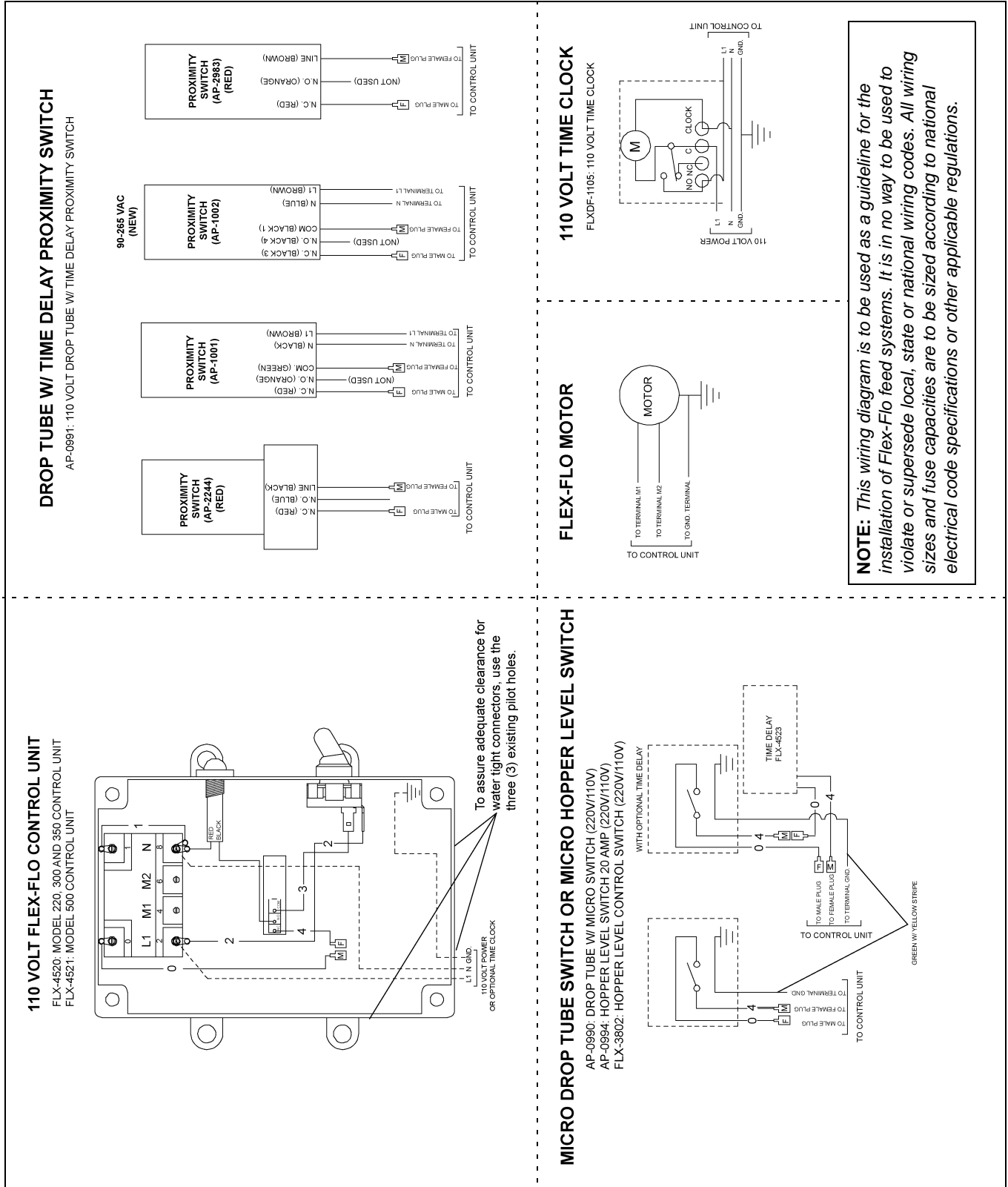




1004 East Illinois Street • Assumption, IL 62510 • 1-217-226-4421

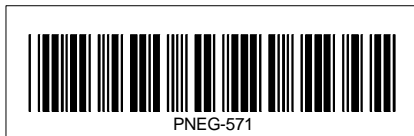
Instructions Flex-Flo Control Unit Wiring Instructions 110V

110V Control Unit Wiring Diagram



Date: 02-20-17 V2.1

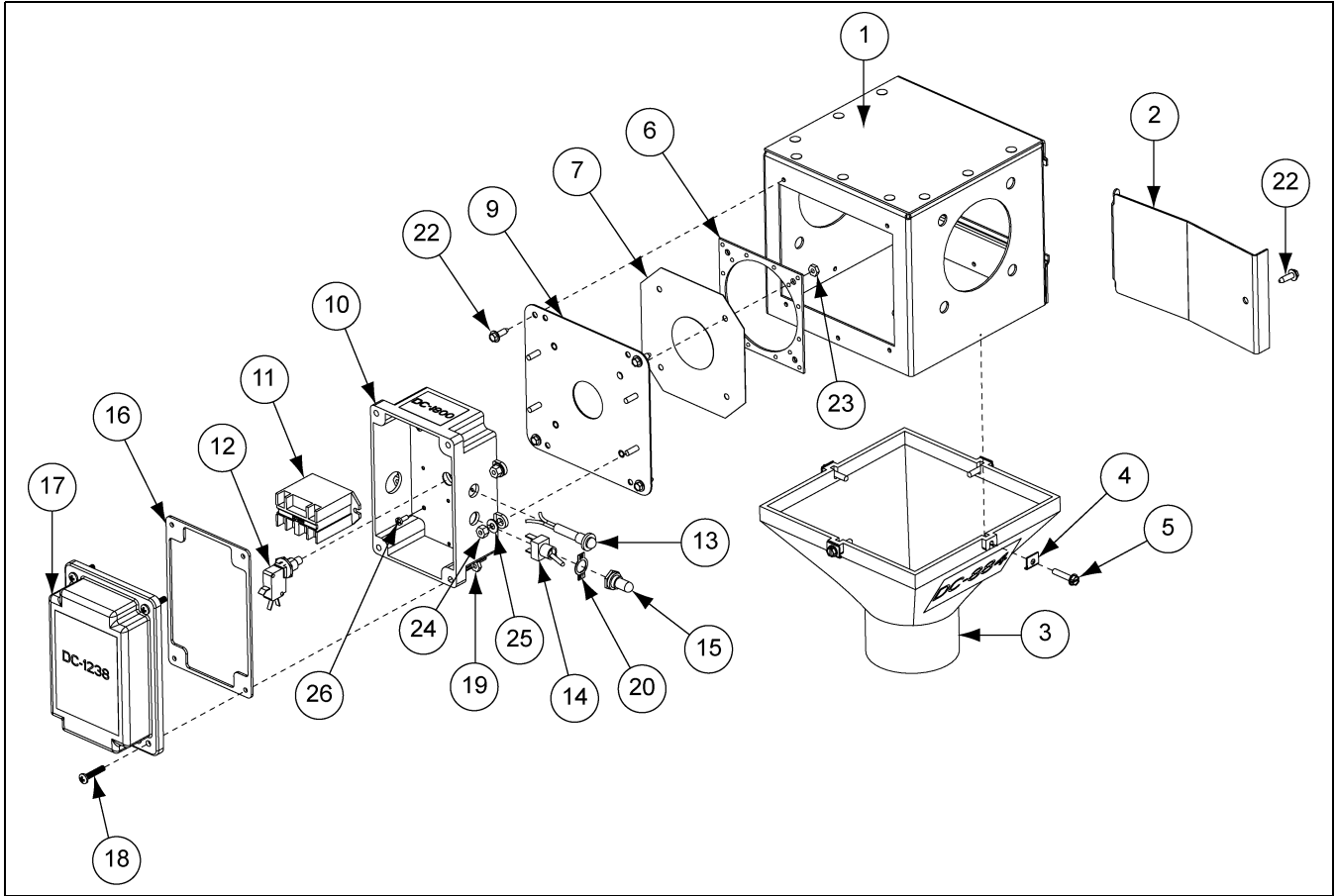
Printed in the U.S.A.
Copyright © 2017 by The GSI Group, LLC
www.gsiag.com



PNEG-571
Page 1 of 2
CN-327896

Flex-Flo Control Unit Wiring Instructions 110V

Control Unit Parts List



Ref #	Part #	Description	Qty	Ref #	Part #	Description	Qty
1-21	FLX-4496	Model 220, 300, 350 Control Unit - 220V	1	13	S-7604	Red Light - 250V	1
1-21	FLX-4497	Model 500 Control Unit - 220V	1	14	20-5060	Toggle Switch - SPST 15A w/ ON/OFF	1
6-21	FLX-4512	Control Unit Electrical Box - 220V	1	15	70-0129	Boot for Toggle Switch	1
1	FLX-4260	Model 220, 300, 350 Control Unit Body Assembly	1	16	FLX-4561	Gasket	1
1	FLX-3819	Model 500 Control Unit Body Assembly	1	17	FLX-4517	Lid for Control Box with DC-1238 Decal	1
2	FLX-4261A	Access Door w/ DC-884 Decal	1	18	S-995	Screw, #10-32 x 1/2"	4
3	FLX-2017	Model 220, 300, 350 Power Head Drop (No Hardware)	1	19	S-7931	Hex Nut #10-32	4
3	FLX-2309	Model 500 Power Head Drop (No Hardware)	1	20	S-6622	ON/OFF Plate for Toggle Switch	1
4	AP-2213	Power Head Drop Retaining Clip	4	N/S	S-4694	#2 Weldless Chain	6'
5	S-7621	Screw, SDS #10-16 x 1" HWH ZN Grade 2	4	22	S-280	Screw, SDS #10-16 x 5/8" HWH ZN	7
6	FLX-2380	Small Diaphragm Retainer	1	23	S-849	Hex Nut 10-24 Grade 2	4
7	FLX-4410	Diaphragm Assembly	4	24	S-2010	Nylock Nut #10-24 ZN Grade 2	4
9	FLX-4510	Base Plate	8	25	S-3674	Flat Washer #10 x 7/32 I.D. x 1/2 O.D. x 18 Gauge TSAE ZN Grade 2	4
10	FLX-4516	Control Box Electrical Box (Bottom) Drill	1	N/S	S-3383	S-Hook, S-8, 1-1/2", #41	3
11	E260-1021	Relay, 0.2 PST 25 Amp, 220V	1	26	S-8183	Screw, SMSA #6 x 3/8" PHP ZN	4
12	S-7707	Limit Switch	1	N/S	S-8823	Ground Screw	1
12	S-9395	Nut, Ring for S-7707, 12 mm x 0.75 Thread	1				