

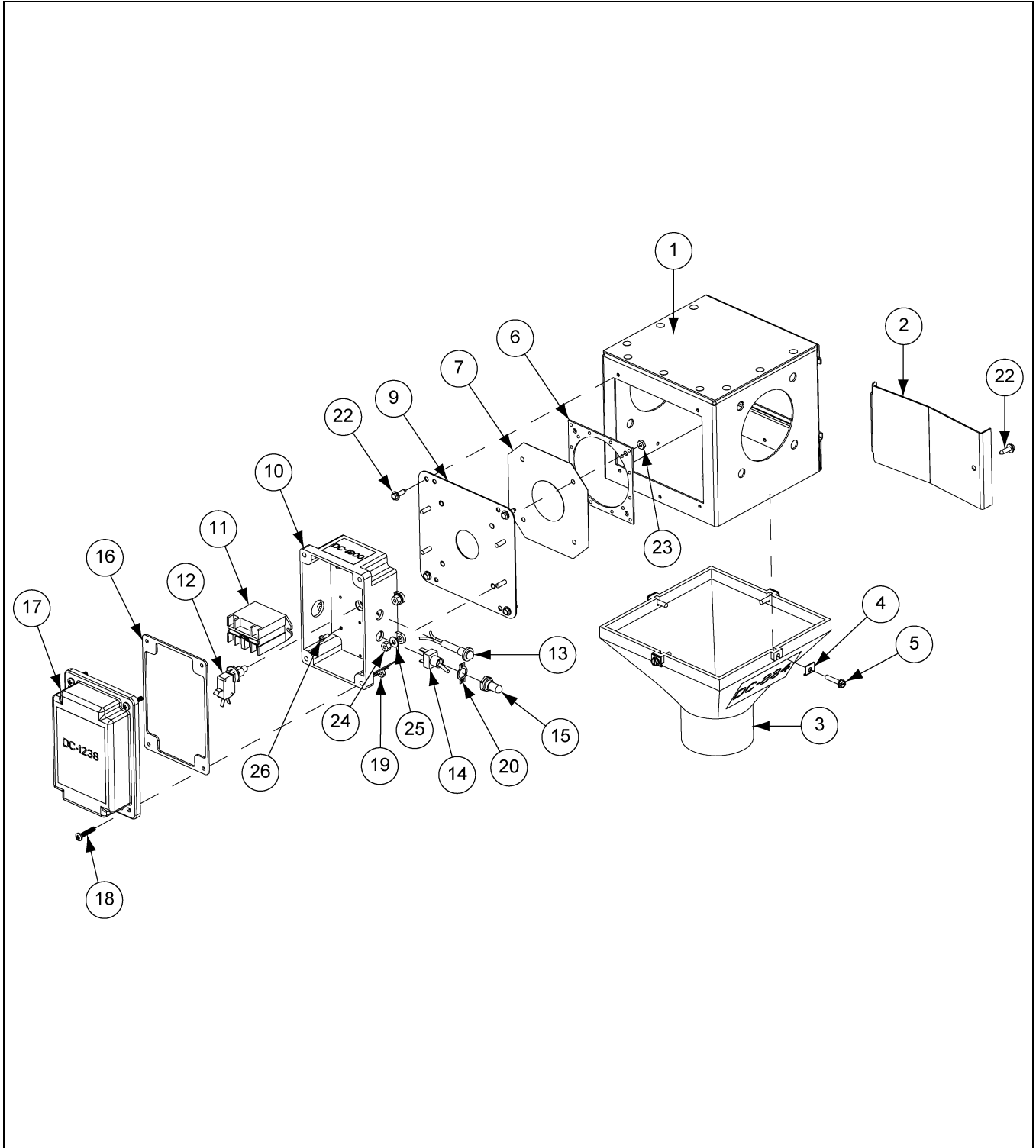


1004 East Illinois Street • Assumption, IL 62510 • 1-217-226-4421

Instructions Flex-Flo Control Unit Model 220, 300, 350 and 500



Disconnect and lock out all power sources before installing wires/cables or servicing equipment.



Date: 02-20-17 V3.1

Printed in the U.S.A.
Copyright © 2017 by The GSI Group, LLC
www.gsiag.com



PNEG-570
Page 1 of 6
CN-327896

Flex-Flo Control Unit Model 220, 300, 350 and 500

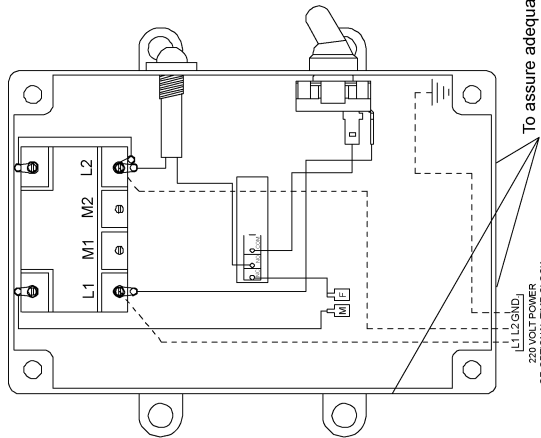
Control Unit

Ref #	Part #	Description	Qty
1-21	FLX-4496	Model 220, 300, 350 Control Unit - 220V	1
1-21	FLX-4497	Model 500 Control Unit - 220V	1
6-21	FLX-4512	Control Unit Electrical Box - 220V	1
1	FLX-4260	Model 220, 300, 350 Control Unit Body Assembly	1
1	FLX-3819	Model 500 Control Unit Body Assembly	1
2	FLX-4261A	Access Door w/ DC-884 Decal	1
3	FLX-2017	Model 220, 300, 350 Power Head Drop (No Hardware)	1
3	FLX-2309	Model 500 Power Head Drop (No Hardware)	1
4	AP-2213	Power Head Drop Retaining Clip	4
5	S-7621	Screw, SDS #10-16 x 1" HWH ZN Grade 2	4
6	FLX-2380	Small Diaphragm Retainer	1
7	FLX-4410	Diaphragm Assembly	1
9	FLX-4510	Base Plate	1
10	FLX-4516	Control Box Electrical Box (Bottom) Drill	1
11	E260-1021	Relay, 0.2 PST 25 Amp, 220V	1
12	S-7707	Limit Switch	1
12	S-9395	Nut, Ring for S-7707, 12 mm x 0.75 Thread	1
13	S-7604	Red Light - 250V	1
14	20-5060	Toggle Switch - SPST 15A w/ ON/OFF	1
15	70-0129	Boot for Toggle Switch	1
16	FLX-4561	Gasket	1
17	FLX-4517	Lid for Control Box with DC-1238 Decal	1
18	S-995	Screw, #10-32 x 1/2"	4
19	S-7913	Hex Nut #10-32	4
20	S-6622	ON/OFF Plate for Toggle Switch	1
N/S	S-4694	#2 Weldless Chain	6 Feet
22	S-280	Screw, SDS #10-16 x 5/8" HWH ZN	7
23	S-849	Hex Nut 10-24 Grade 2	4
24	S-2010	Nylock Nut #10-24 ZN Grade 2	4
25	S-3674	Flat Washer #10 x 7/32" I.D. x 1/2" O.D. x 18 Gauge TSAE ZN Grade 2	4
N/S	S-3383	S-Hook, S-8, 1-1/2", #41	3
26	S-8183	Screw, SMSA #6 x 3/8" PHP ZN	4
N/S	S-8823	Ground Screw	1

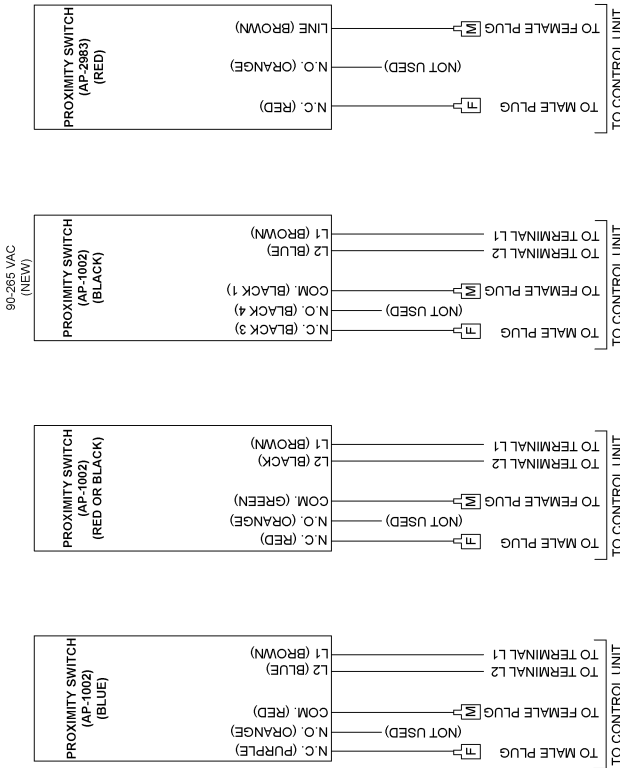
220V/110V, Single Phase Control Unit

220 VOLT FLEX-FLO CONTROL UNIT

FLX-4496: MODEL 220, 300 AND 350 CONTROL UNIT
 FLX-4497: MODEL 500 CONTROL UNIT

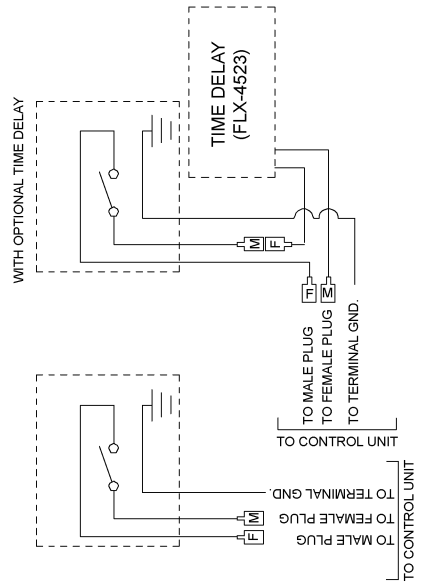


DROP TUBE W/ TIME DELAY PROXIMITY SWITCH

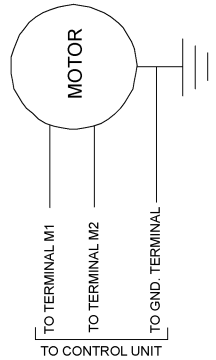


MICRO DROP TUBE SWITCH OR MICRO HOPPER LEVEL SWITCH

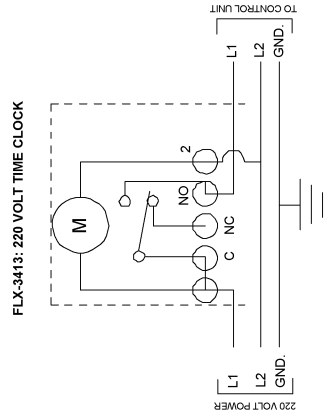
- AP-0990: DROP TUBE W/ MICRO SWITCH (220V/110V)
- AP-0993: HOPPER LEVEL W/ MICRO SWITCH (220V/110V)
- FLX-3802: HOPPER LEVEL CONTROL SWITCH (220V/110V)



FLEX-FLO MOTOR

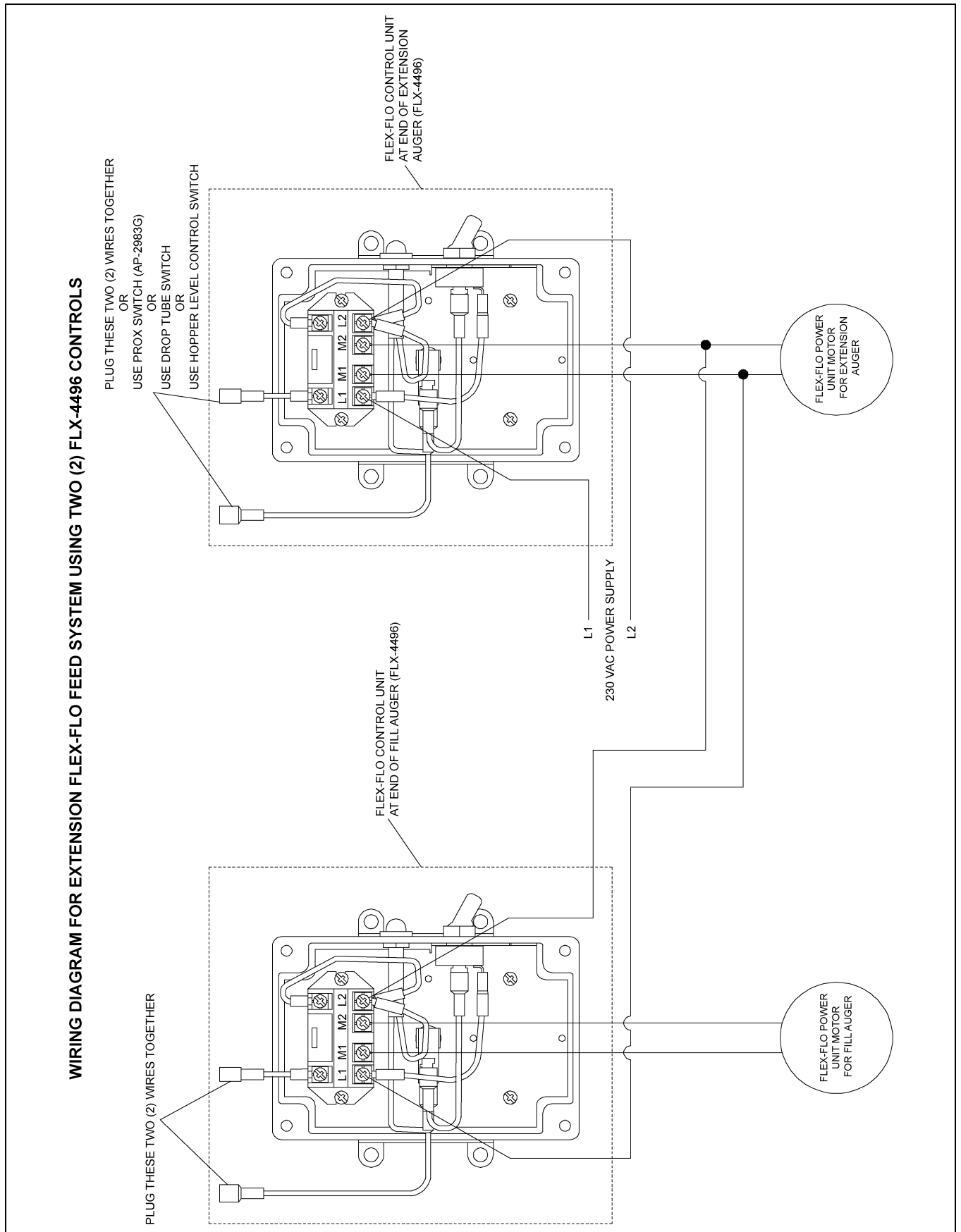


220 VOLT TIME CLOCK



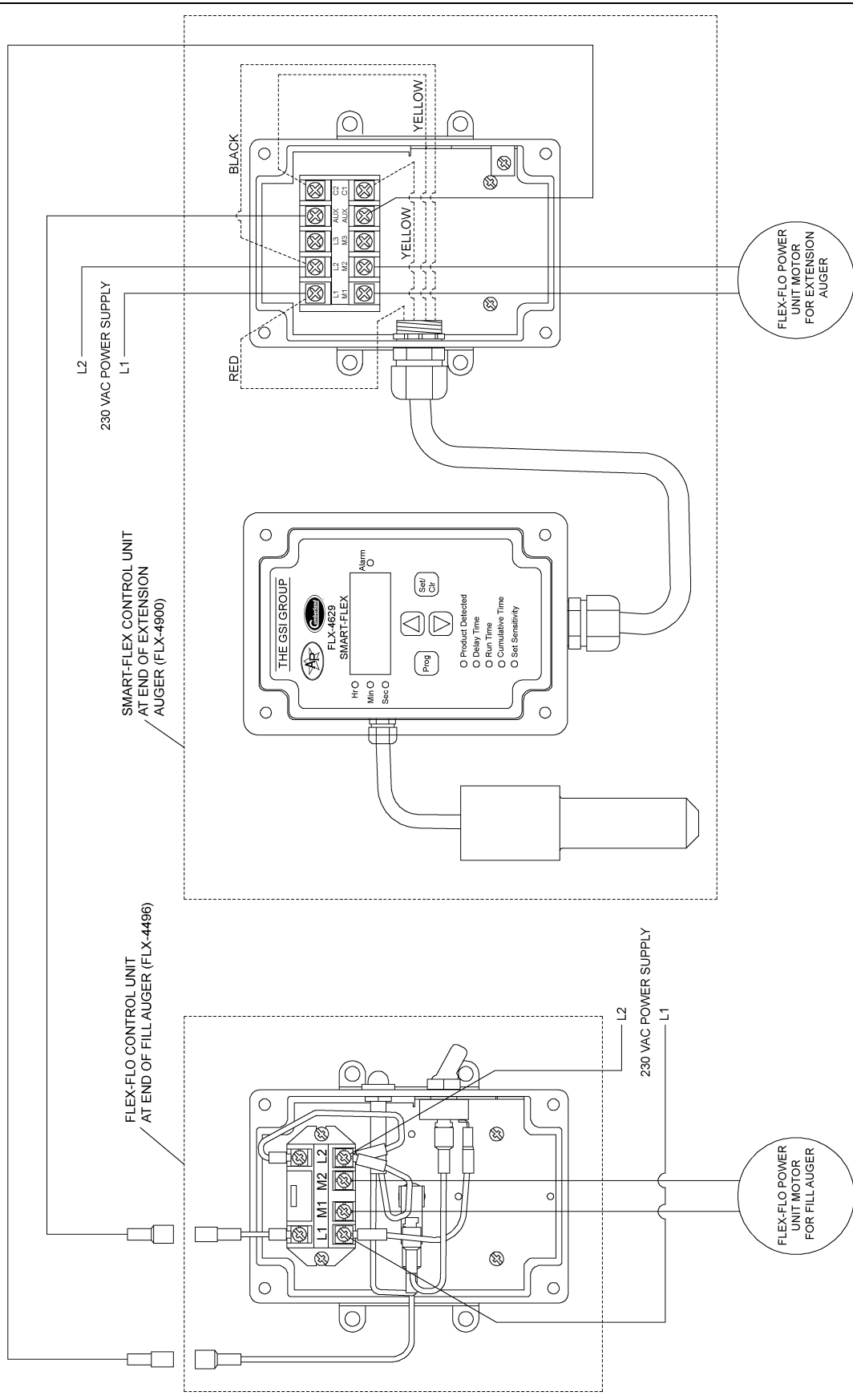
NOTE: This wiring diagram is to be used as a guideline for the installation of Flex-Flo feed systems. It is in no way to be used to violate or supersede local, state or national wiring codes. All wiring sizes and fuse capacities are to be sized according to national electrical code specifications or other applicable regulations.

230V, Single Phase Control Unit



230V, Single Phase Control Unit

WIRING DIAGRAM FOR EXTENSION FLEX-FLO FEED SYSTEM USING SMART-FLEX CONTROL



208-230V, 3 Phase Control Unit

