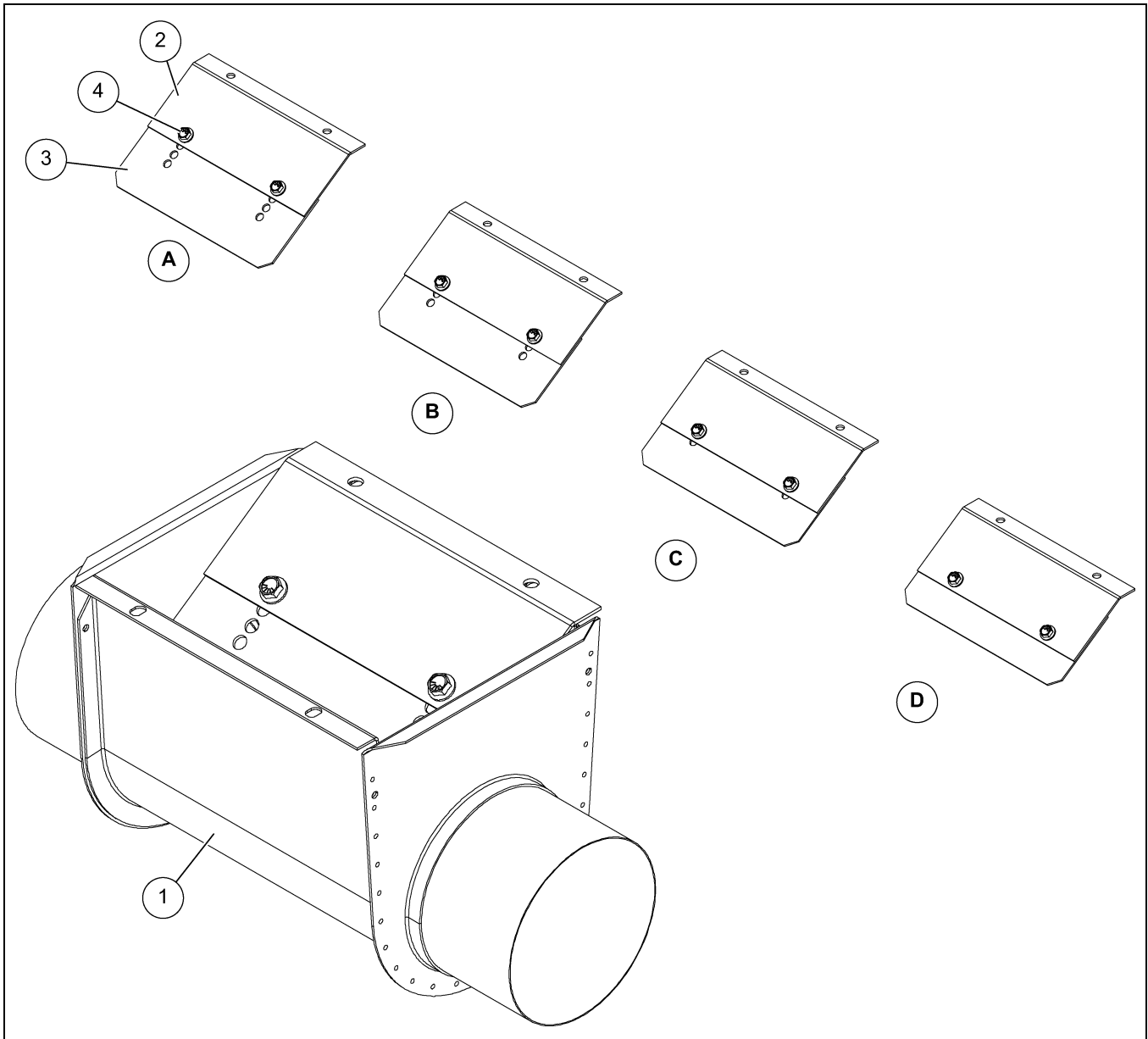




1004 East Illinois Street • Assumption, IL 62510 • 1-217-226-4421

# Instructions Restrictor Baffle Adjustment for Model 500 Single Thru Unloader



Ref #	Part #	Description
1	FLX-2944	Model 500 Single Thru Unloader
2	FLX-3835	Model 500 Upper Restrictor Baffle
3	FLX-3836	Model 500 Lower Restrictor Baffle
4	S-10260	Flange Bolt 5/16"-18 x 1" JS500 Grade 8 or 8.2 Full Thread with Sealing Washer
	S-7484	Hex Nut 5/16"-18 JS500 Grade 5

Specifications		
Ref #	Hole Positions	Feed Rate per Minute (Approx.)
A	Top Set of Holes	125 Lbs.
B	Second Set of Holes	150 Lbs.
C	Third Set of Holes	175 Lbs.
D	Bottom Set of Holes	200 Lbs.

Date: 07-05-18 V1.0

Printed in the U.S.A.  
Copyright © 2018 by The GSI Group, LLC  
www.gsiag.com



PNEG-2247

Page 1 of 1  
CN-337476