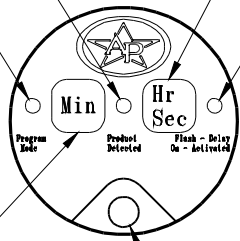


PRODUCT DETECTED
INDICATOR LIGHT
(YELLOW)

PROGRAM MODE
INDICATOR LIGHT
(RED)

MINUTE
TIME DELAY
PUSH BUTTON

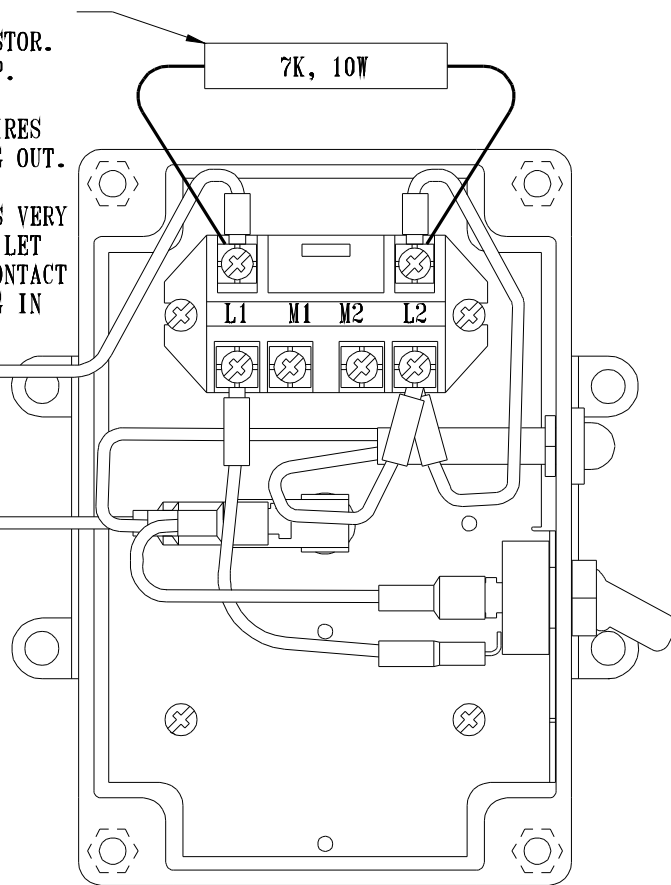


HOUR / SECOND
TIME DELAY
PUSH BUTTON

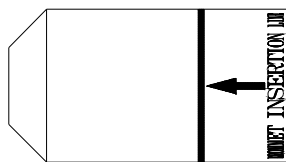
RELAY ACTIVATION
INDICATOR LIGHT
(GREEN)
FLASH - TIME DELAY

CORD

70-0113
7K, 10W RESISTOR.
USE HIGH TEMP.
SHRINK TUBE
TO PROTECT WIRES
FROM SHORTING OUT.
NOTE:
RESISTOR GETS VERY
HOT! DO NOT LET
IT COME IN CONTACT
WITH ANYTHING IN
ENCLOSURE!

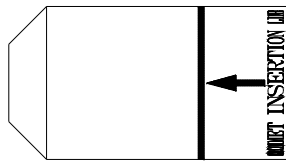


AP-2983



BROWN - LINE
(NOT USED) ORANGE - N.O.
RED - N.C.

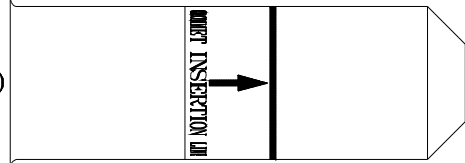
AP-2983



BROWN - LINE
(NOT USED) ORANGE - N.O.
RED - N.C.

LINE - BROWN
N.O. - ORANGE (NOT USED)
N.C. - RED

AP-2983



NOTE:
This wiring diagram is to be used as a guideline for the installation of Flex-Flo feed systems. It is in no way to be used to violate or supersede local, state or national wiring codes. All wiring sizes and fuse capacities are to be sized according to national electrical code specifications or other applicable regulations.

WIRE ENDS MUST BE
TAPED FOR PROTECTION

Material Specifications:			
Quantity		Material Part No.	
Sq. Ft.	Blk. Wt.	Ship Wt.	
Drn. By	Date	Mark to Dimensions	Drawing No.
B. EVERSOLE	02-11-02	Do Not Scale	PNEG-1132



A-P
DIV. OF
GRAIN SYSTEMS INC.

Assumption, IL. 62510 217/226-4449

FLEX-FLO CONTROL UNIT WIRING DIAGRAM

W/THREE UNIVERSAL SENSORS AND RESISTOR

TOLERANCES
(Unless Noted)
Fractions +/- 1/32"
Decimals +/- .031
Angles +/- 1.00

No.	ECN	Revision	Description	Date	By

PRODUCT DETECTED
INDICATOR LIGHT
(YELLOW)

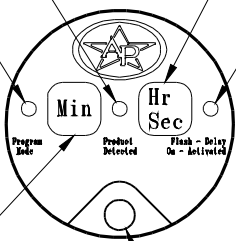
PROGRAM MODE
INDICATOR LIGHT
(RED)

MINUTE
TIME DELAY
PUSH BUTTON

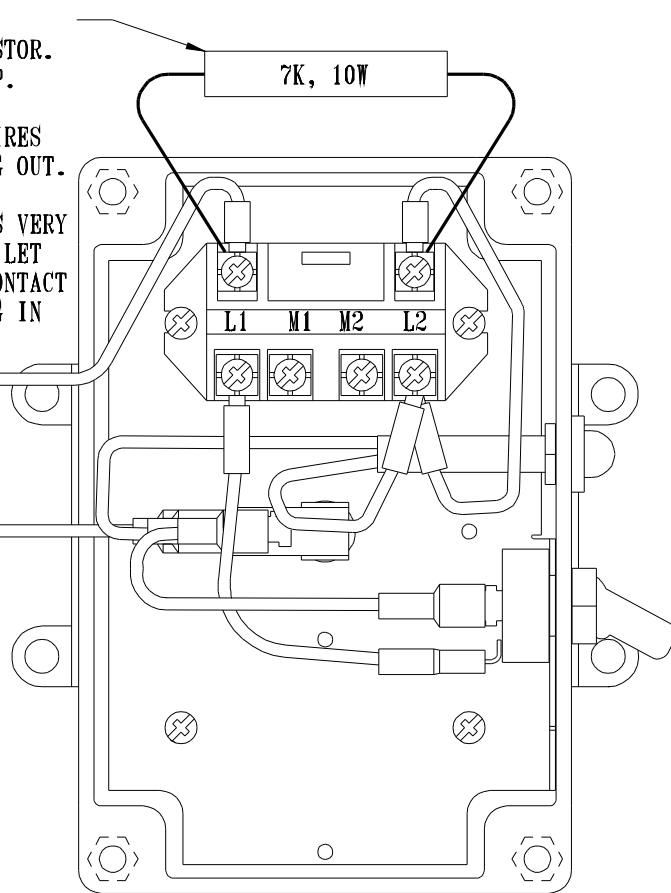
OUR / SECOND
TIME DELAY
PUSH BUTTON

RELAY ACTIVATION
INDICATOR LIGHT
(GREEN)
FLASH - TIME DELAY

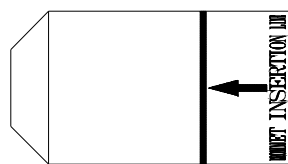
CORD



70-0113
7K, 10W RESISTOR.
USE HIGH TEMP.
SHRINK TUBE
TO PROTECT WIRES
FROM SHORTING OUT.
NOTE:
RESISTOR GETS VERY
HOT! DO NOT LET
IT COME IN CONTACT
WITH ANYTHING IN
ENCLOSURE!



AP-2983

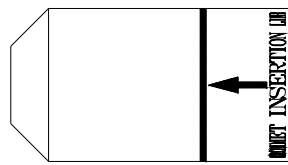


BROWN - LINE

(NOT USED) ORANGE - N.O.

RED - N.C.

AP-2983



BROWN - LINE

(NOT USED) ORANGE - N.O.

RED - N.C.

THESE WIRE ENDS MUST BE
TAPED FOR PROTECTION

NOTE:

This wiring diagram is to be used as a guideline for the installation of Flex-Flo feed systems. It is in no way to be used to violate or supersede local, state or national wiring codes. All wiring sizes and fuse capacities are to be sized according to national electrical code specifications or other applicable regulations.

No.	ECN	Revision	Description	Date	By



A-P
DIV. OF
GRAIN SYSTEMS INC.
Assumption, IL. 62510 217/226-4449

FLEX-FLO CONTROL UNIT WIRING DIAGRAM
W/TWO UNIVERSAL SENSORS AND RESISTOR

TOLERANCES
(Unless Noted)
Fractions +/- 1/32"
Decimals +/- .031
Angles +/- 1.00

Material Specifications:				Quantity		Material Part No.	
Sq. Ft.	Blk. Wt.	Ship Wt.					

Drn. By **B. EVERSOLE** Date **02-11-02** Mark to Dimensions **Do Not Scale** Drawing No. **PNEG-1132**