



CW-9510 Air Vent Kit Instructions

Installing the Air Vent

1. Follow the appropriate instructions below based upon the type of support being used.
 - a. For Rail Supports: Loosen the aluminum rail connector nearest the desired location for the air vent. Slide the two (2) rails apart just enough to get the mounting bracket onto the rail. Slide the rails back together and retighten the rail connector. Do not tighten the mounting bracket at this time. **NOTE:** Use the top hole in the bracket for rail support.
 - b. For Pipe Support: Pull the pipes apart at a connection nearest the desired location for the air vent. Install the mounting bracket onto the pipe and slide the pipes back together. Do not tighten the mounting bracket at this time. **NOTE:** Use the bottom hole in the bracket for pipe support.
2. Install the air vent the same as instructed for the water pipe. See PNEG-670 for details. Ensure notches are lined up with the guides in the couplers.
3. Align the mounting bracket with the holes in the air vent and tighten together.
4. Tighten down the mounting bracket to the support rail/pipe.

IMPORTANT: Install an air vent assembly every 100 feet of water line to help prevent air locks in the system.

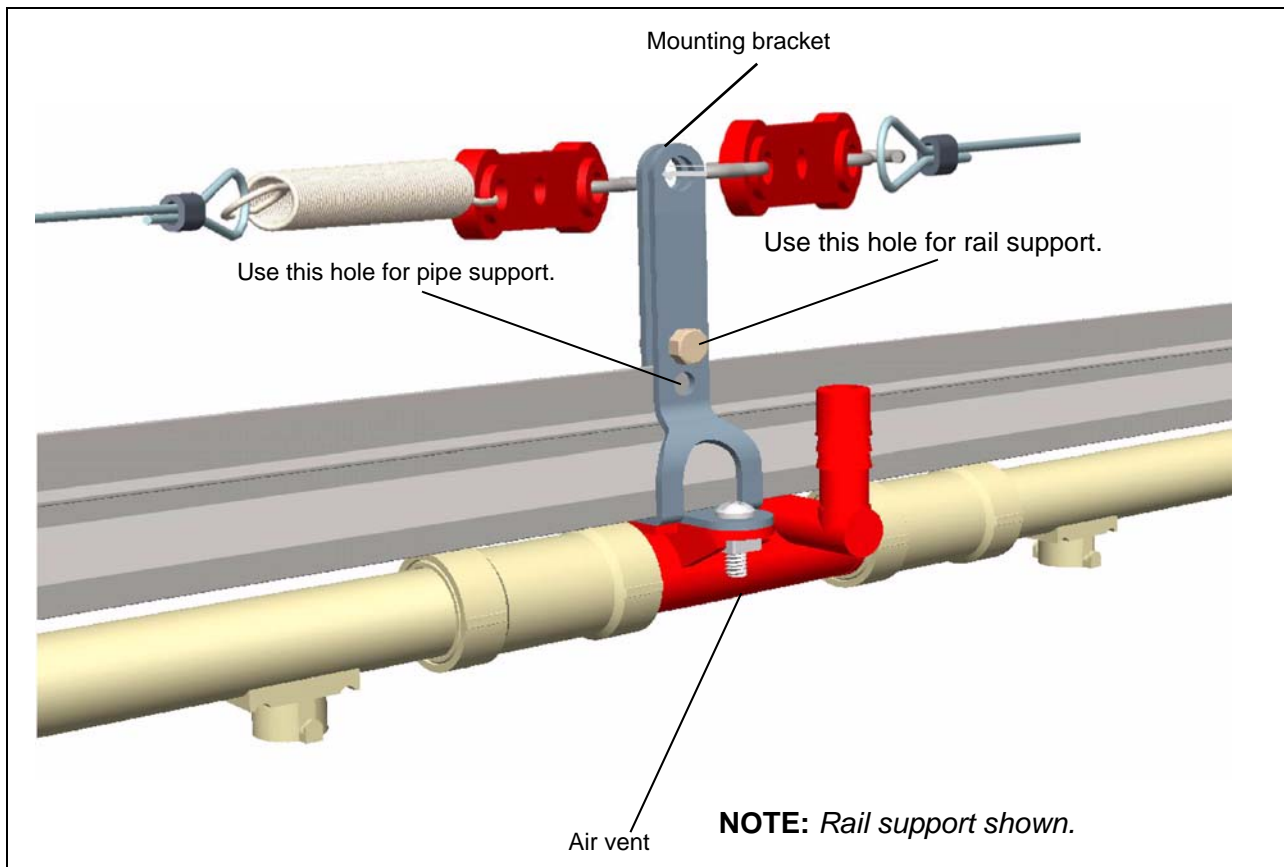


Figure 1

Date: 12-18-07

Printed in the U.S.A.
Copyright © 2007 by GSI Group
www.gsiag.com



PNEG-923
Page 1 of 2

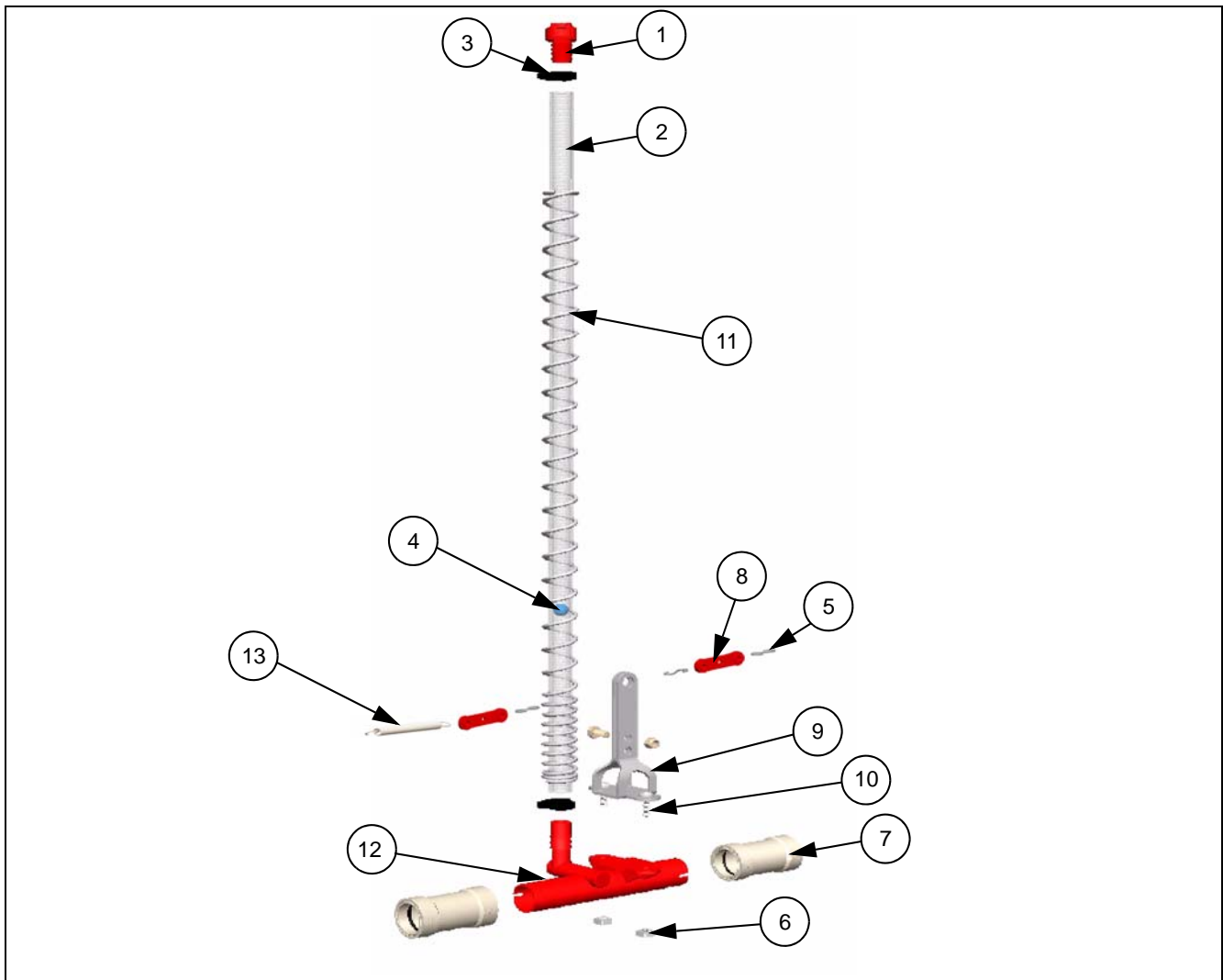


Figure 2

CW-9510 Air Vent W/Accessories

Ref #	Part #	Description	Qty
1	CW-10050	Flush Cap Assembly	1
2	CW-9051	Flex Sight Tube 24"	1
3	CW-9600	Hose Clamp Nylon	2
4	CW-5154	Float Ball	1
5	S-9244	Hook "S" #1.080 x 1-1/16	3
6	S-8910	Nut Square 1/4" - 20 Plated	3
7	CW-5020	Coupler Assembly	2
8	CW-2003	Cord Adjuster	2
9	CW-3019	Mounting Bracket	1
10	S-8789	Screw MS 1/4" - 20 x 3/4" RHP	3
11	CW-9052	Spring 22" for Sight Tube	1
12	CW-10055	Air Vent Welded Assembly	1
13	CW-5031	Spring 3" OAL x .418 O.D.	1