

Wiring instructions for the HI-LO End Control Pan to the HI-LO Center House Control Pan

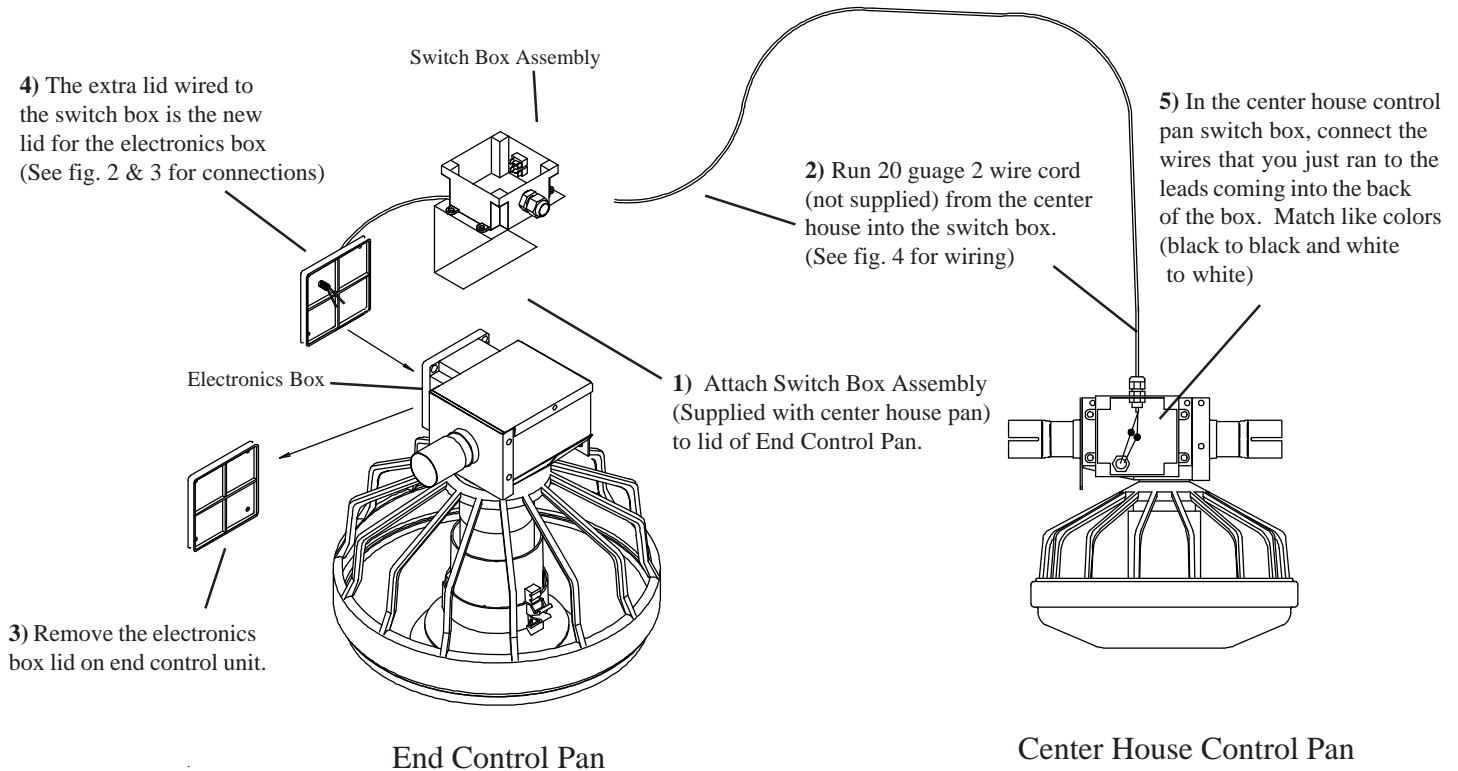
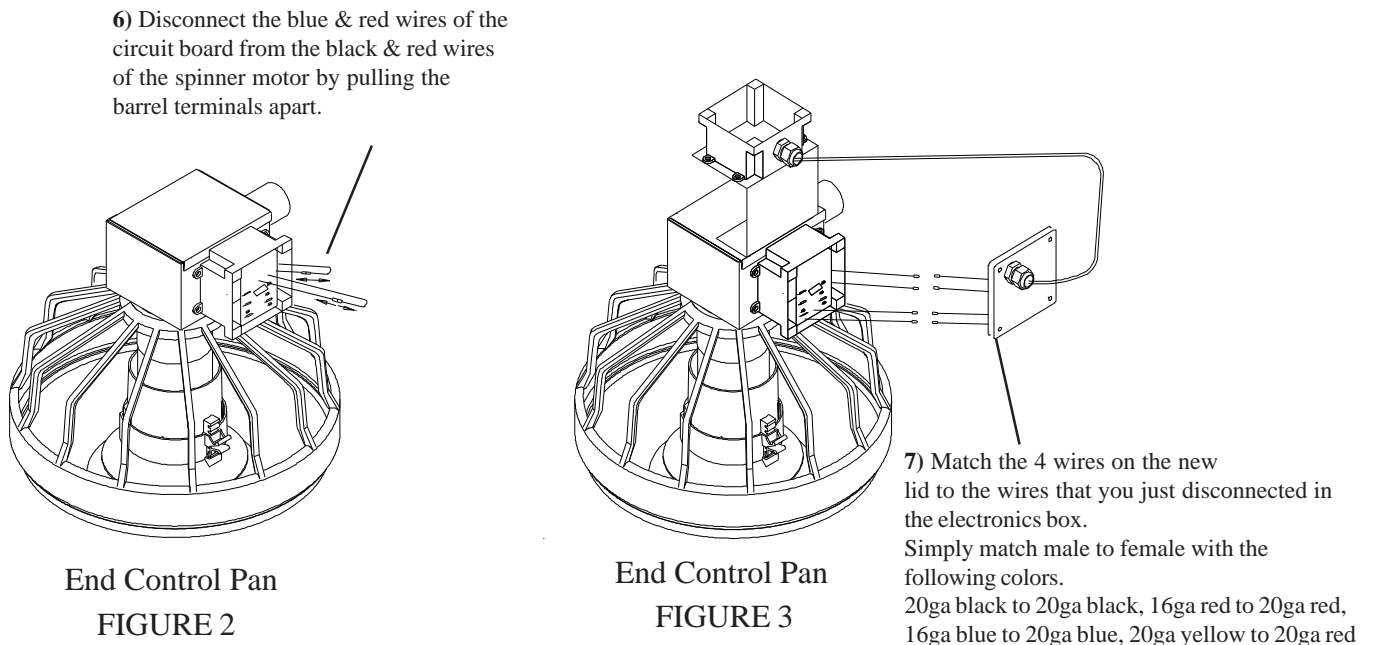
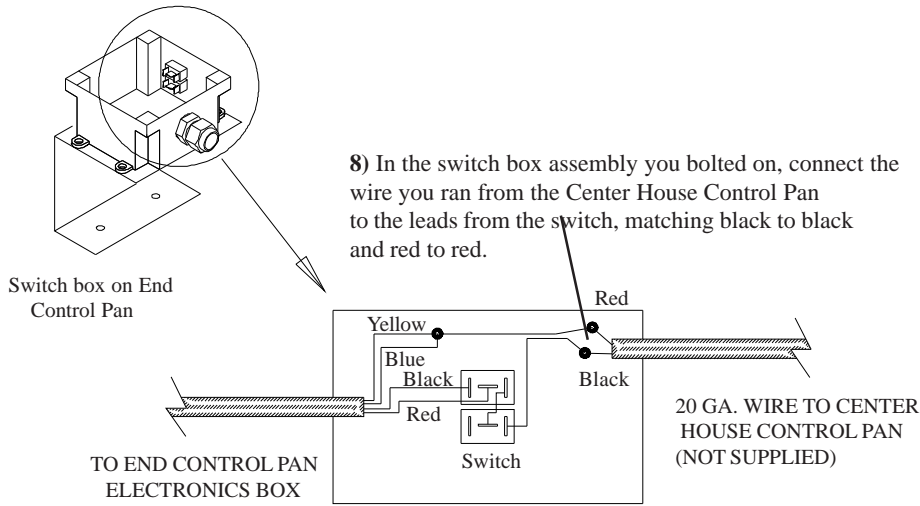
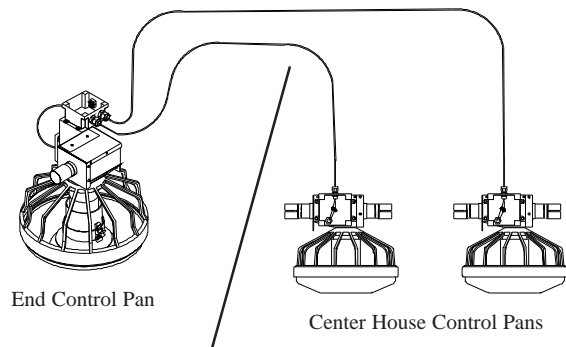


FIGURE 1



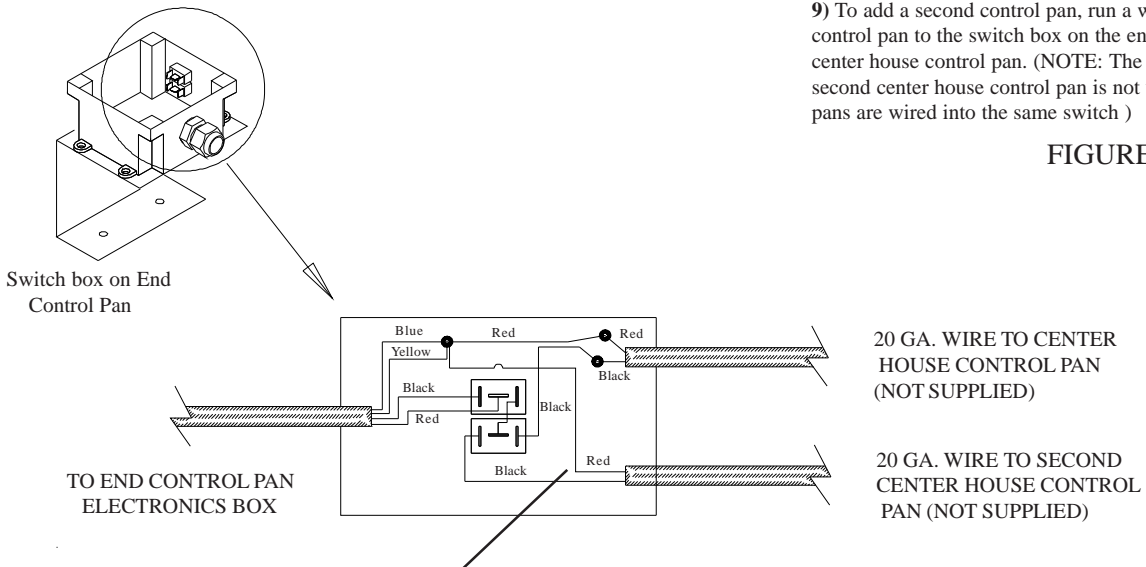


Wiring diagram for switch box
FIGURE 4



9) To add a second control pan, run a wire from the second center house control pan to the switch box on the end control pan, as you did the first center house control pan. (NOTE: The switch box included in the second center house control pan is not used. Both center house control pans are wired into the same switch)

FIGURE 5



10) Connect the black lead to the remaining terminal on the switch, and tie the red lead together with the other red and blue leads.

Wiring diagram for switch box
Adding a second Center House Control Pan
FIGURE 6