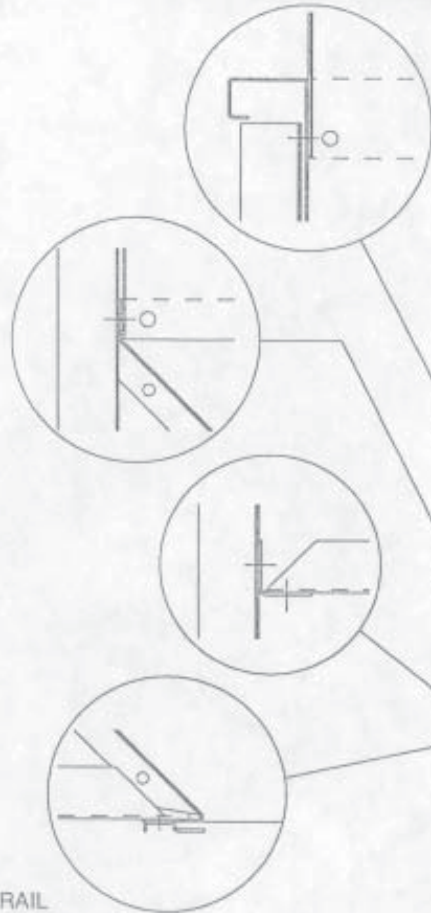


4000 POUND HOPPER

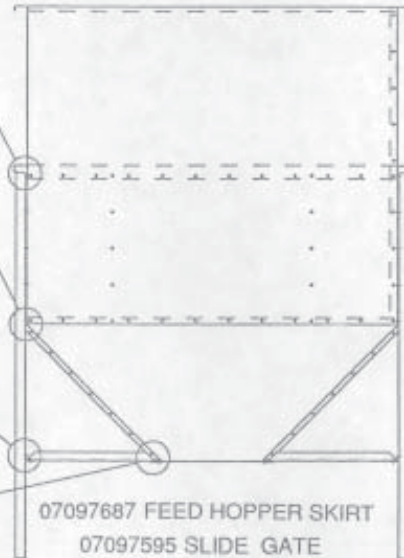
ASSEMBLY INSTRUCTIONS

07097709

07097716	HARDWARE PACKAGE	
1	PR-331 PEAK CAP HANDLE	
275	S-4275 5/16 X 3/4 SCREW	
275	S-5220 5/16 LOCKNUT	
15	S-845 5/16 WASHER	



07097710 EXTENSION PANEL



07097711
TOP PANEL

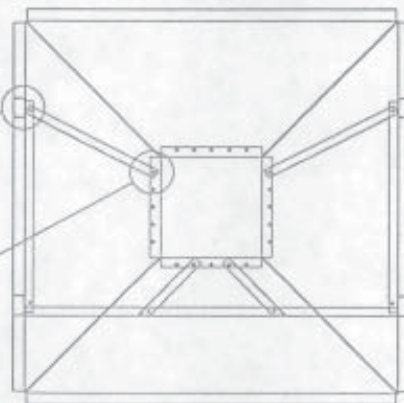
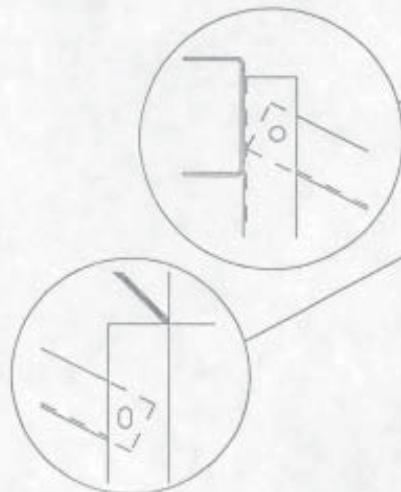
07097712
HOPPER PANEL

07097713 LEG

07097687 FEED HOPPER SKIRT
07097595 SLIDE GATE

07097594 GUIDE RAIL

CROSS SECTION



07097715
HOPPER BRACE

07097714
LEG BRACE

NOTE: ASSEMBLE LONG BRACE TO HOPPER
AT THE DRIVE MOTOR SIDE

BOTTOM VIEW

PNEG-242