

The "E" Chick Booster comes partially assembled to provide quick and easy installation. Follow the instructions below to assemble the "E" Chick Boosters to the feed line.

1. Snap the chick booster onto the auger tube as shown in [Figure 1](#), centering the drop tube over the feed outlet hole.

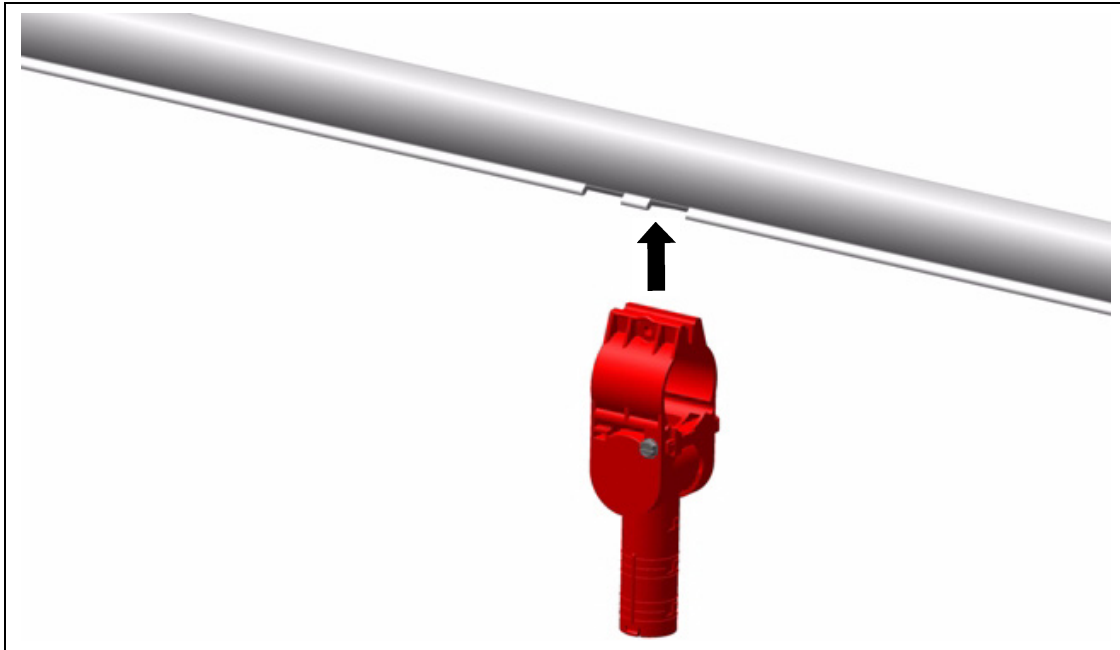


Figure 1

2. Install the supplied #10-24 x 3/4" screw and nylock nut into the top of the chick booster and tighten as shown in [Figure 2](#). Ensure that the pre-installed #10-24 x 2-1/4" screw and nylock nut is tightened and the drop tube rotates freely.

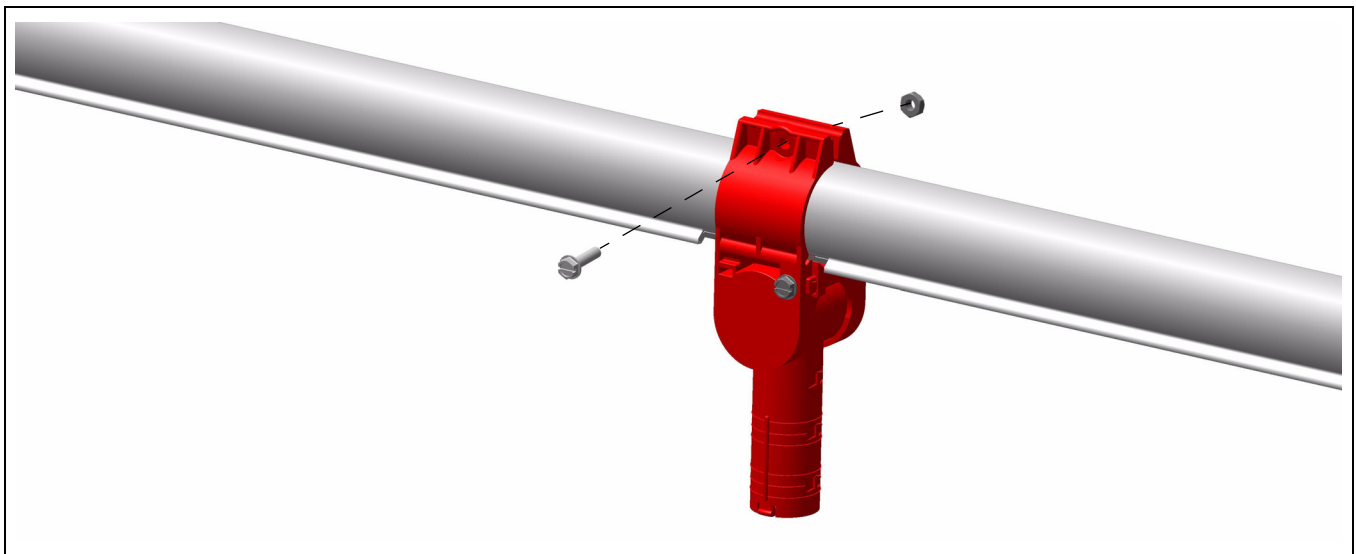


Figure 2



## “E” Chick Booster Assembly Instructions (C2000511)

- Slide the chick booster extension (C2000116) into the chick booster cone (C2000117) and assemble to the chick booster tube as shown in [Figure 3](#) and [Figure 4](#).

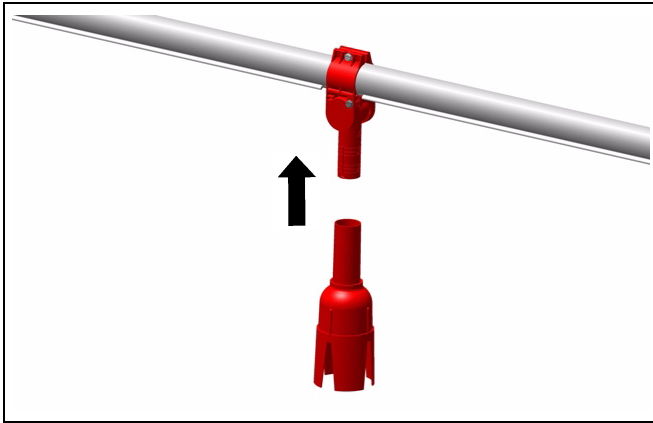


Figure 3

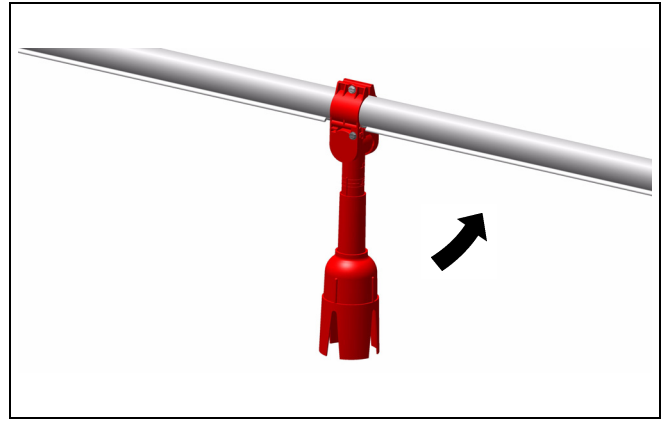


Figure 4

To shut off feed, rotated the drop tube 90°; this allows feed to bypass the chick booster drop. (See [Figure 5](#).)

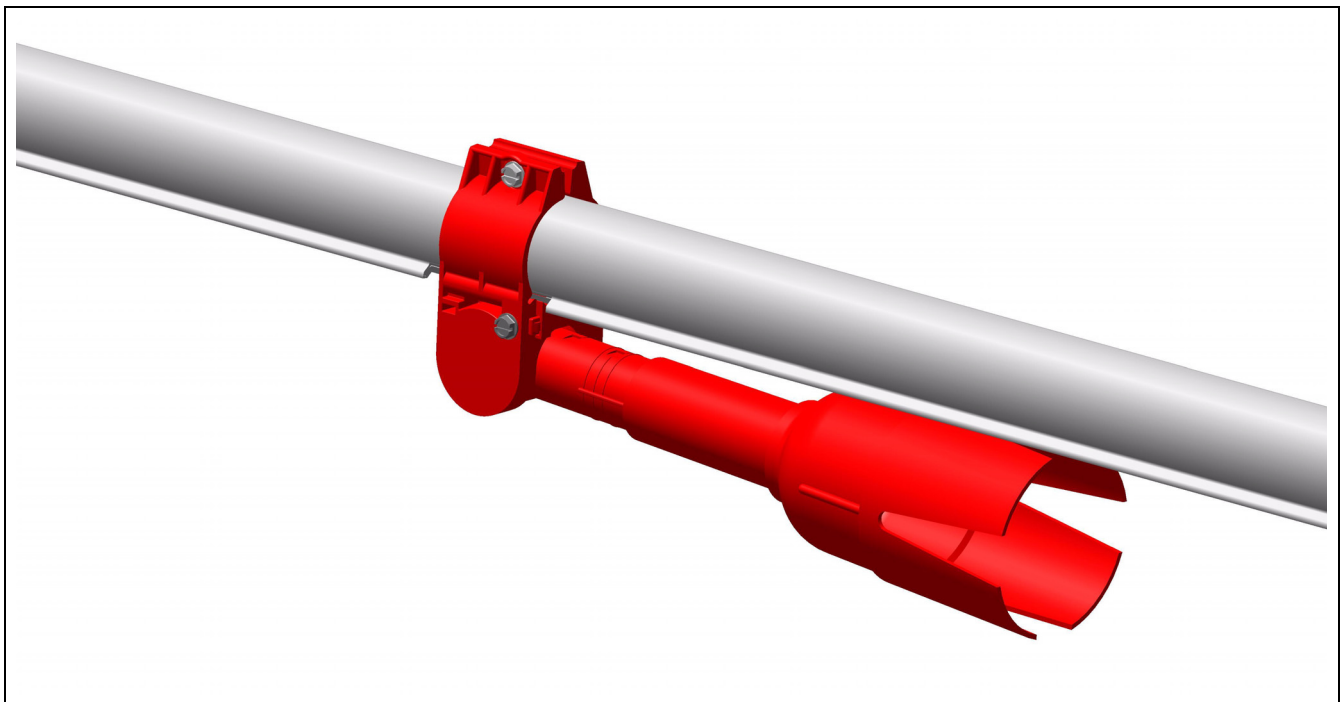


Figure 5