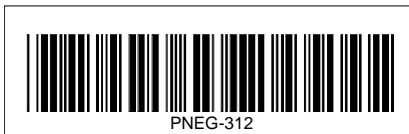

C225 Heater Outside Mounting Kit Instructions

PNEG-312



SAFETY

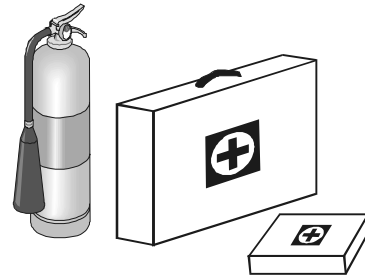
Make sure all power sources are disconnected and locked out before installing or servicing equipment.

PREPARE FOR EMERGENCIES

Be prepared if fire starts.

Keep a first aid kit and fire extinguisher handy.

Keep emergency numbers for doctors, ambulance service, hospital, and fire department near your telephone.



WEAR PROTECTIVE CLOTHING

Wear close fitting clothing and safety equipment appropriate to the job.

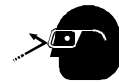
Safety glasses should be worn at all times to protect eyes from debris.

Wear gloves to protect your hands from sharp edges on plastic or steel parts.

A respirator may be needed to help prevent breathing potentially toxic fumes and dust.

Wear hard hat and steel toe boots to help protect your head and toes from falling debris.

Eye Protection



Gloves



Steel Toe Boots



Respirator



Hard Hat



DECALS

If DC-1272 gets covered up with the Duct replace it with a new one to the side of the old one.

INSTALLATION

Before proceeding with installation, verify feasibility of the heater location, such that the heater, electrical cord or gas piping will not be accessible to livestock. Allow for convenient access and serviceability of equipment.

NOTE: *DO NOT attach any inlet and/or discharge ductwork other than approved accessories to the heater. Excessive static pressure may cause this heater to overheat and/or cause excessive amounts of combustion products to be discharged into the space.*



Maintain a minimum clearance from combustibles of 12 inches from the top, bottom and sides of the heater. Combustible material must be a minimum distance of 6 feet from the discharge air outlet of the heater.

NOTE: *If the heater is located in a high-traffic area, mount the heater so as not to create a human bump hazard; however, the minimum clearance for combustibles must be maintained.*

C225 Outdoor Mounting Kit Instructions

TOOLS

Tape Measure	9/64" Drill Bit
Marker/Pencil	1/4" Drill Bit
Drill	7/16" Wrench
1/4" Nut Driver	Lifting Equipment

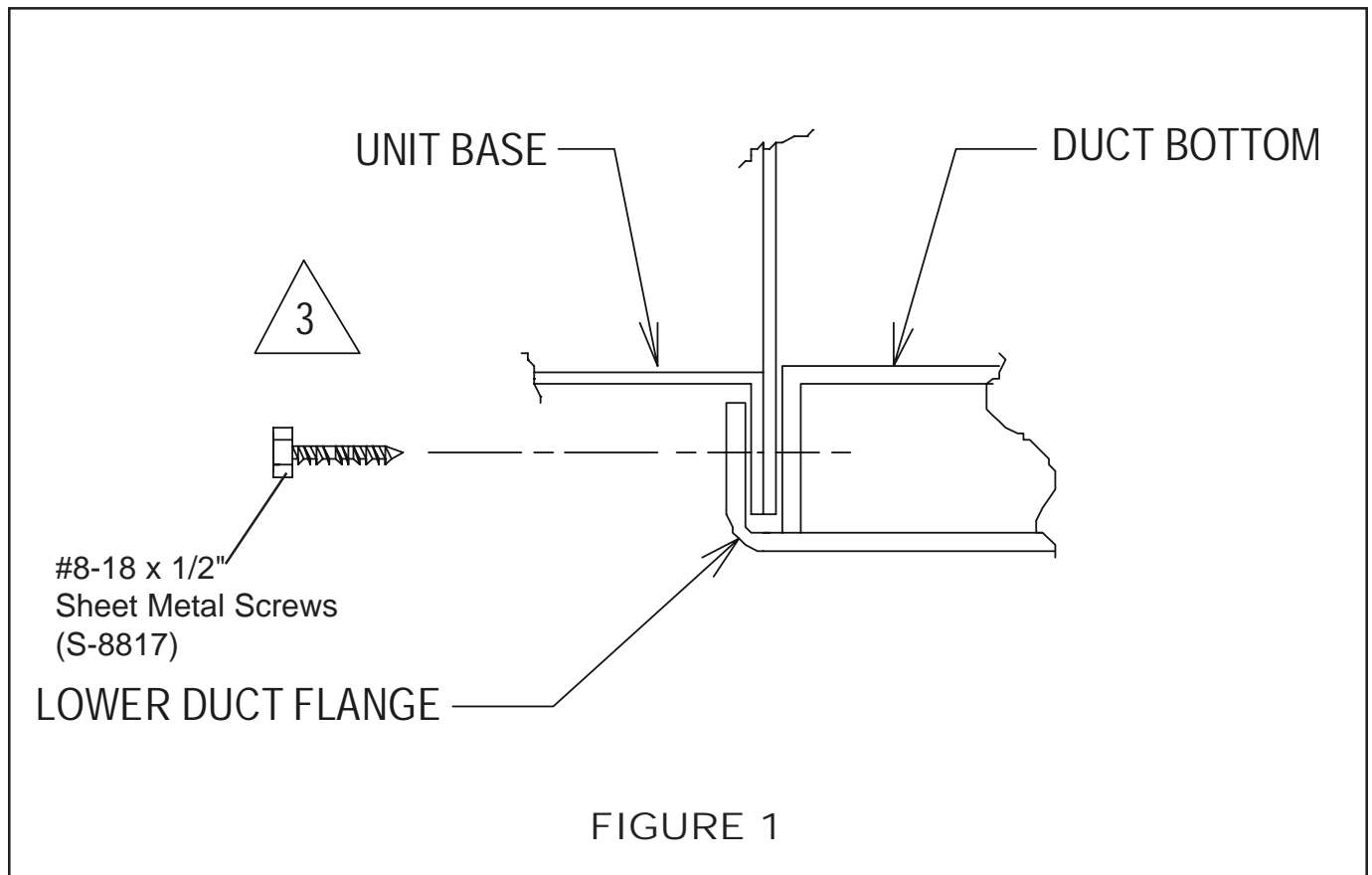
ATTACHING DUCT TO HEATER

1. Remove the sheet metal screw that is centered under the fan discharge.
2. Place the discharge duct against the unit, centered over the fan discharge opening, and slide up into place. The lower flange on the duct should be on the inside of the unit base (See Figure 1.)

3. Install sheet metal screw from the bottom side of the unit into the discharge duct. (See Figure 1 & 2.)

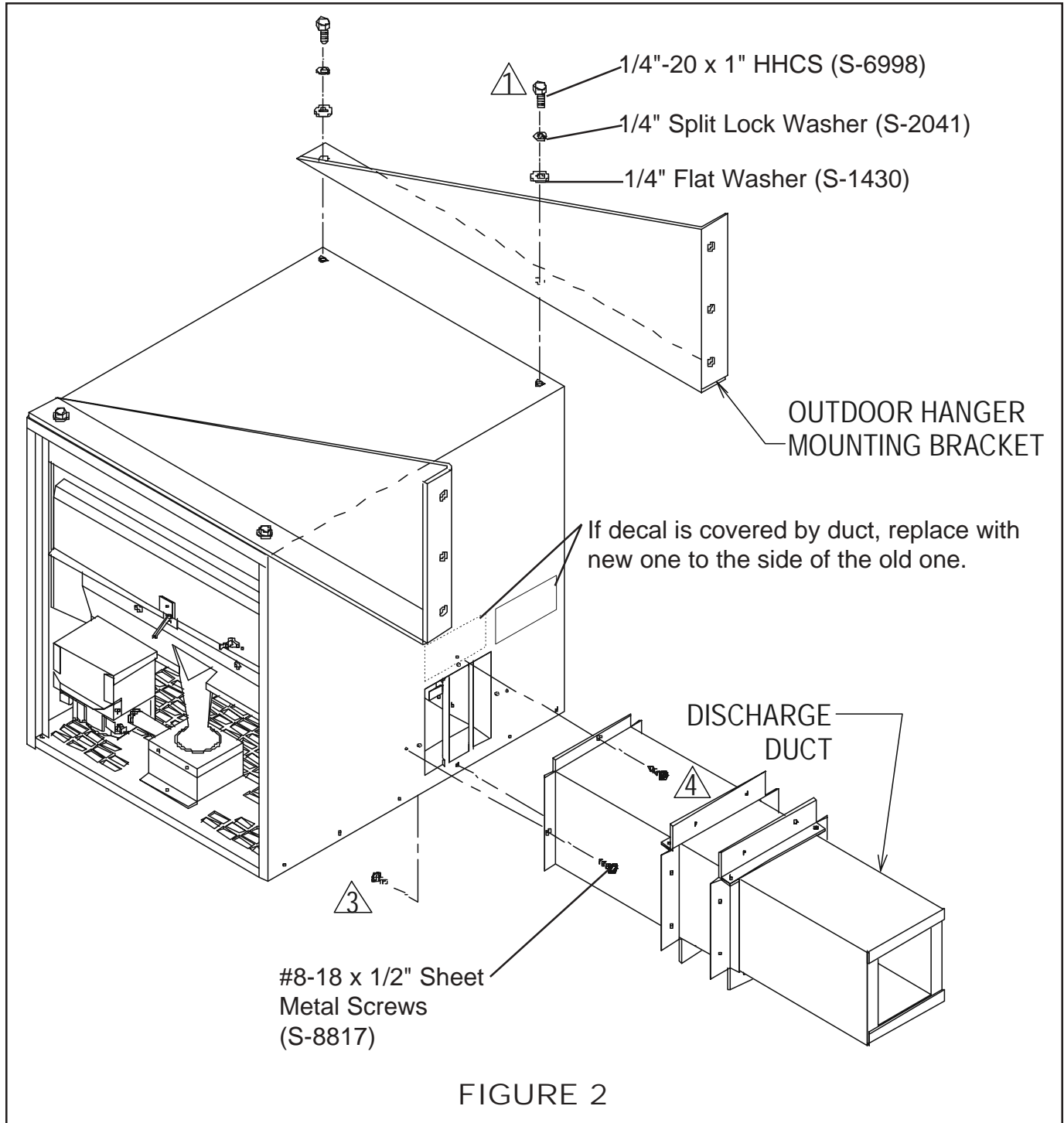
4. Drill 9/64" holes through holes in duct flange. Using (3) three #8-18 x 1/2" sheet metal screws, fasten the discharge duct to the unit front through the holes in the duct flange. Use a 1/4" nut driver.

NOTE: If a safety decal is covered up by the duct, replace with the supplied DC-1272 as shown in Figure 2.



ATTACHING BRACKETS TO HEATER

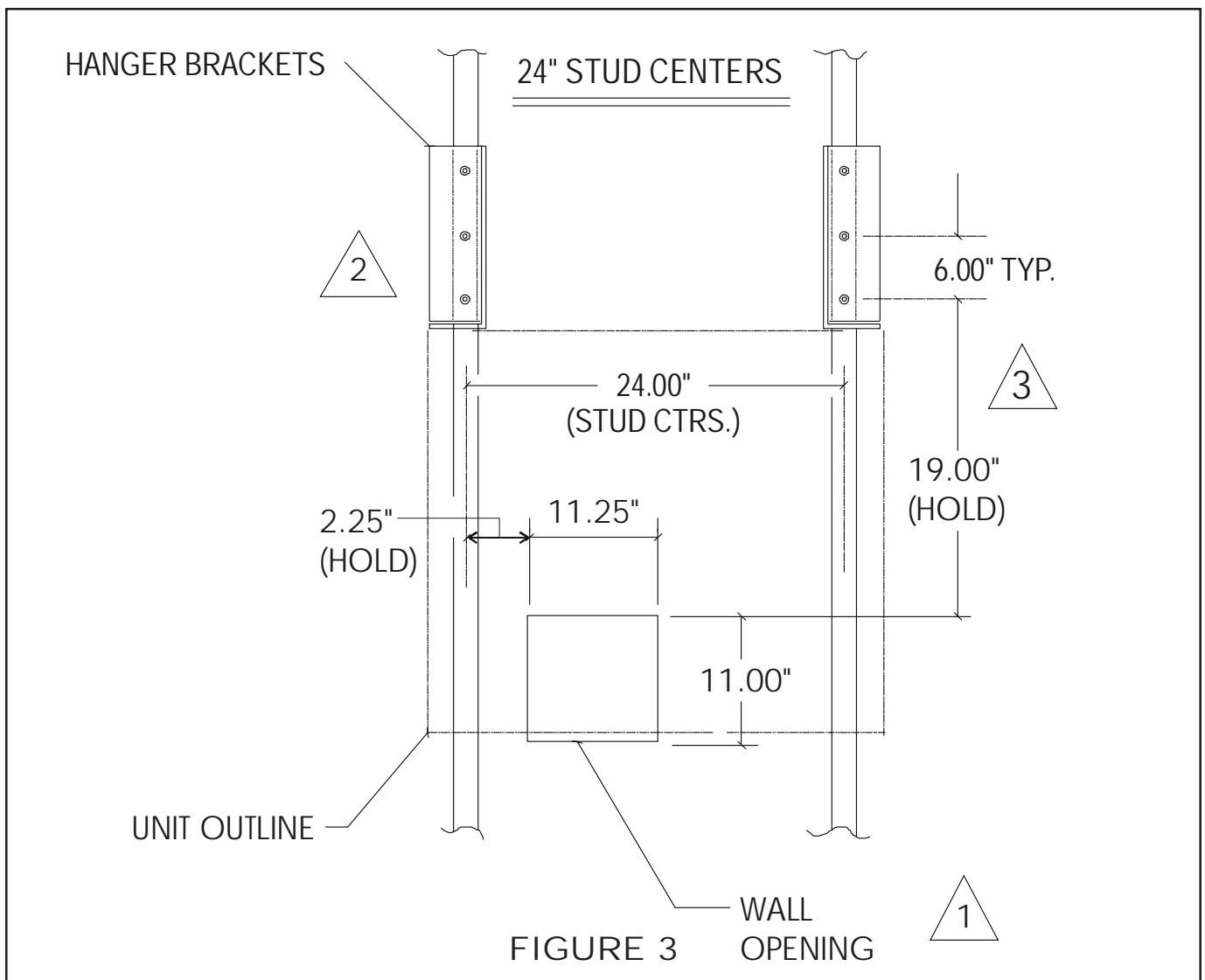
1. Place the outdoor hanger mounting brackets on the unit top as shown and fasten with (4) 1/4" x 1 Gr. 5 HHCS bolts, (4) split lock washers, (4) flat washers and as shown in Figure 2.



CUTTING WALL OPENING

1. Locate and cut out the required wall opening for the discharge duct using dimensions in Figure 3. Bottom of wall opening to be minimum of 30" above ground.
2. Locate the bottom left mounting bracket hole using the dimensions given. Use a level to locate the bottom right mounting hole and measure up on each side to locate the remaining holes as shown in Figure 3.
3. Drill (6) 1/4" Dia. holes through the building exterior for the unit mounting brackets. Using the dimensions given in Figure 3.

NOTE: WALL STUDS MUST BE ON 24" CENTERS IN ORDER TO INSTALL THIS UNIT USING OUTDOOR HANGER MOUNTING BRACKETS.

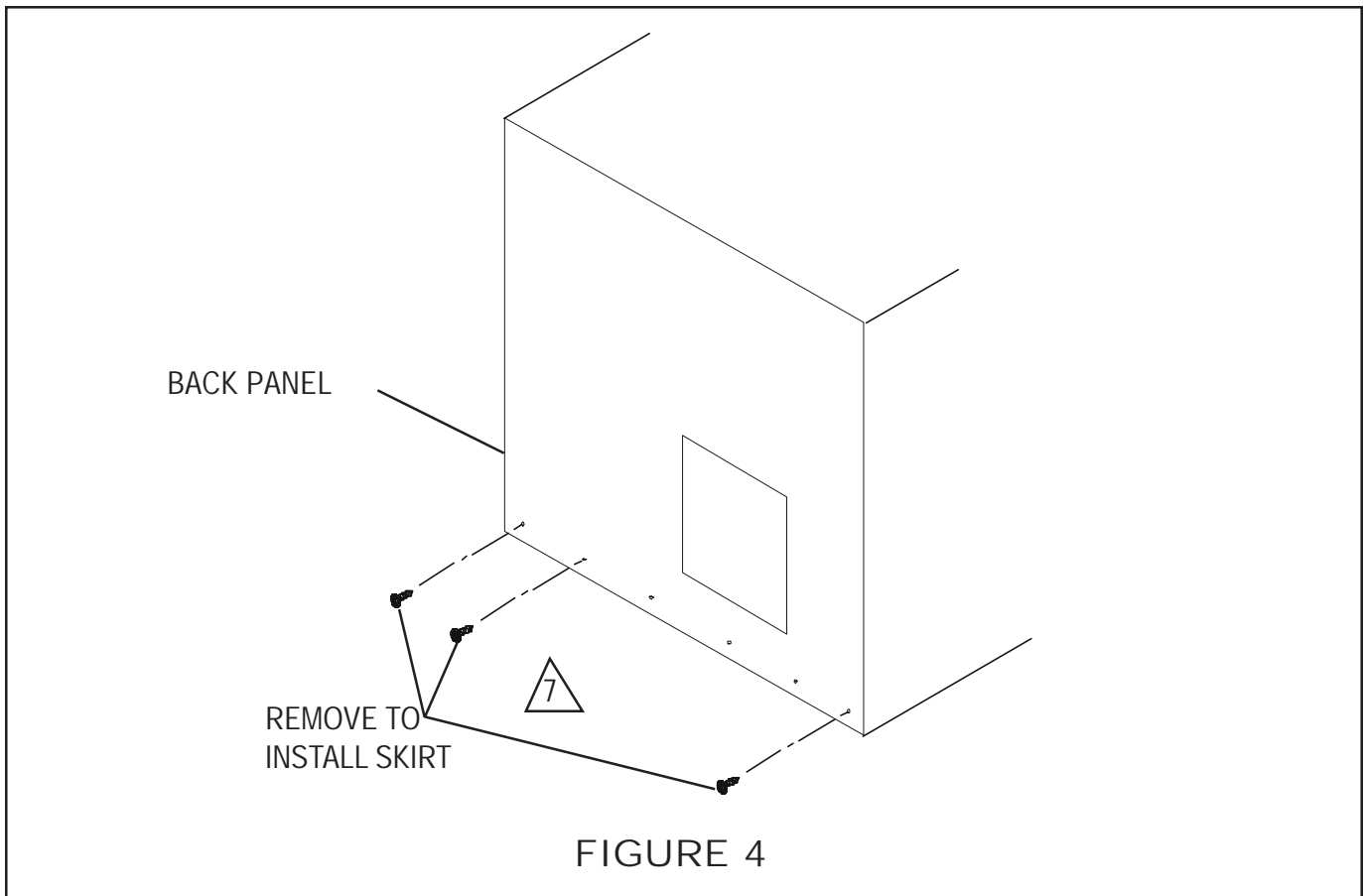


MOUNTING UNIT TO WALL

4. Remove the interior wall flashing from the discharge duct. (See Figure 5.)
5. Using proper lifting equipment, raise the unit with the hanger brackets and discharge duct attached. (See Figure 5.) Insert the discharge duct into the wall opening and fasten the hanger brackets to the wall with (6) 5/16" x 2" long lag bolts and washers as shown. Check the hanger brackets, they should be vertically level. Shim if necessary.
6. Fasten both the interior and exterior wall flashing to the wall, using (8) self tapping sheet metal screws on each. Caulk around the exterior flashing joint to seal.

INSTALLING SKIRT

7. Remove the required (7) screws [(4) from front panel and (3) from back panel] from the unit exterior bottom. (See Fig. 4 & 5.)
8. Position the outdoor skirt on the outside of the unit base. Fasten the skirt to the front and back panels using the screws removed in step #7. Attach the skirt to the side ends using (2) self-tapping sheet metal screws for each side. (See Figure 5.)



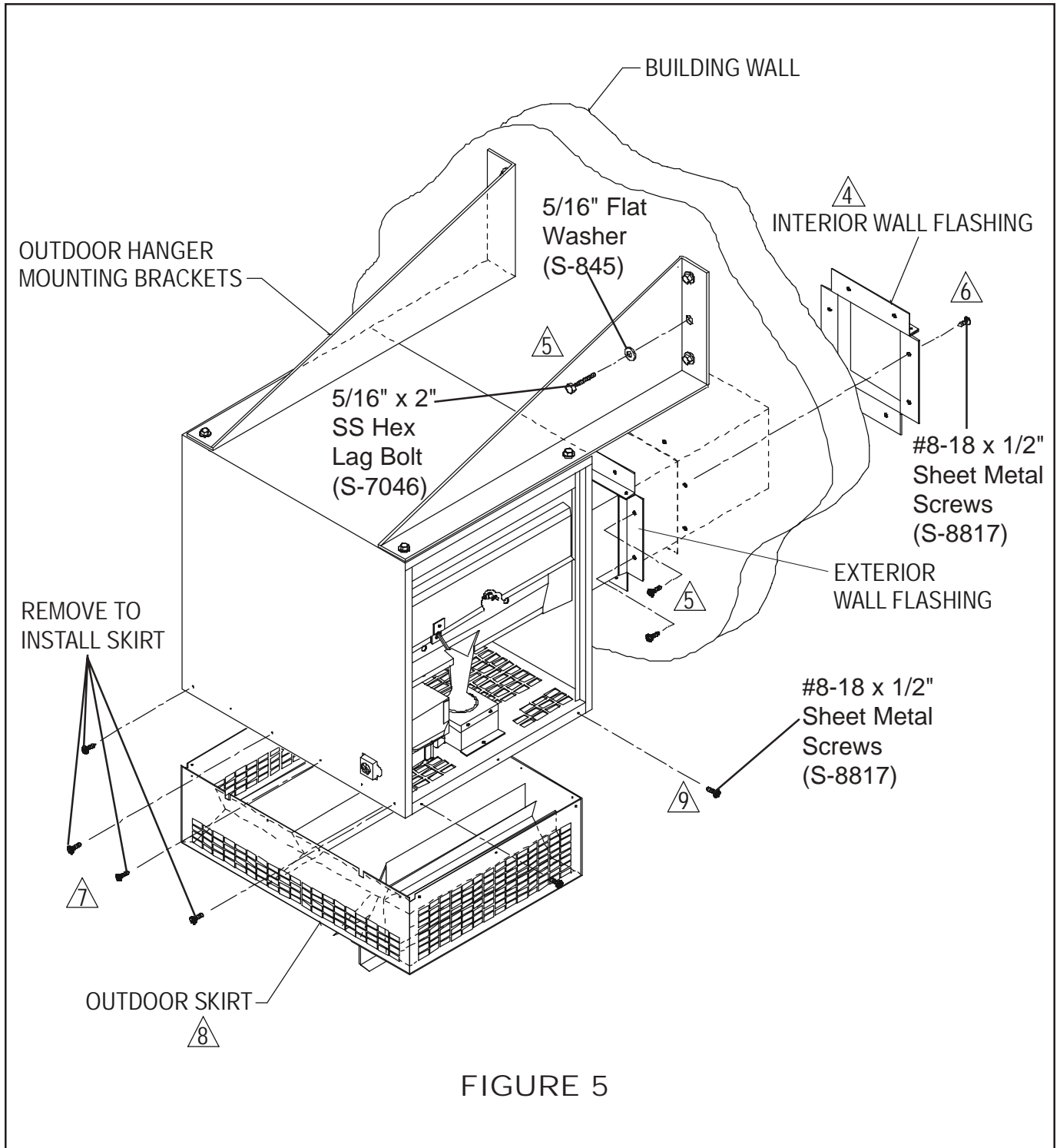


FIGURE 5



a division of
THE GSI GROUP



1004 E. Illinois Street
Assumption, IL 62510
Ph: 217-226-4421

DATE: 03-28-03