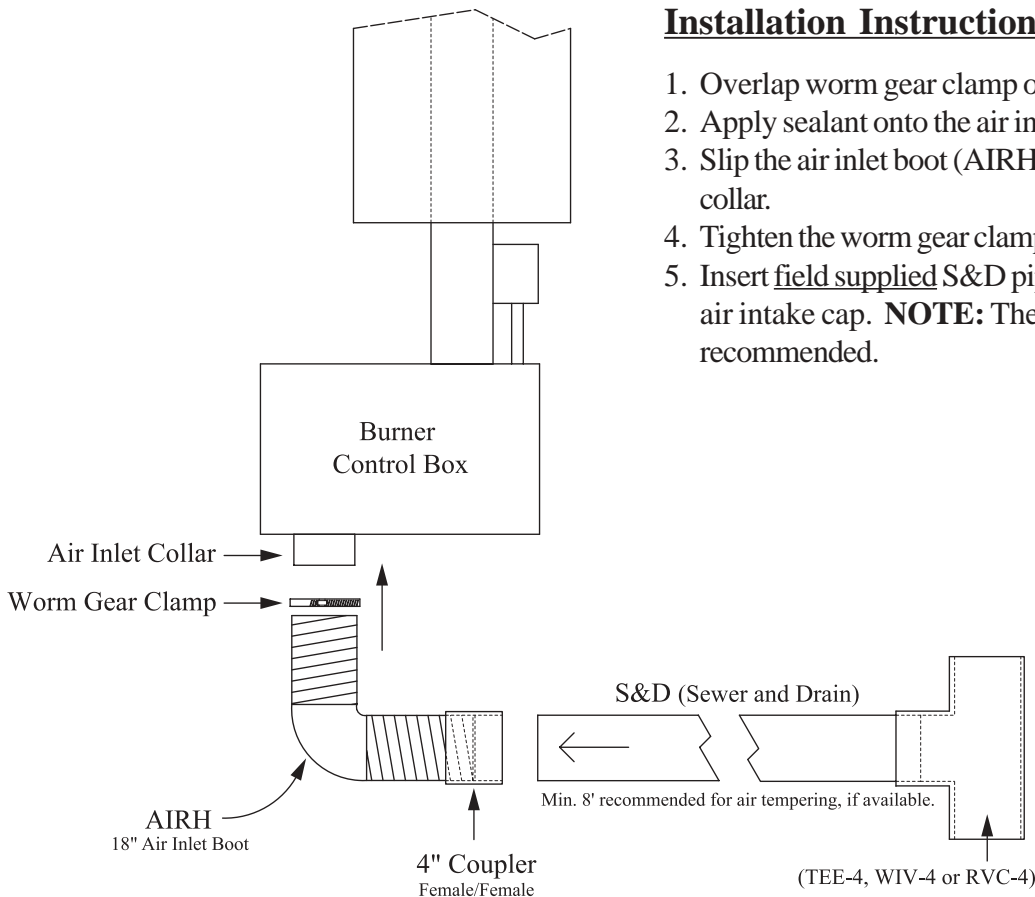


# DETROIT RADIANT PRODUCTS CO.

## Air Intake Connections and Requirements

Outside combustion air is recommended in harsh environments. Proper air intake is vital for efficient operation and product longevity. Please note the installation procedures and illustrations.



### Installation Instructions

1. Overlap worm gear clamp onto the air inlet boot (AIRH).
2. Apply sealant onto the air inlet boot (AIRH).
3. Slip the air inlet boot (AIRH) completely on the burner air inlet collar.
4. Tighten the worm gear clamp.
5. Insert field supplied S&D pipe into the coupler to mate with the air intake cap. **NOTE:** The use of PVC primer and cement is recommended.

| Available Air Intake Accessories |                                              |
|----------------------------------|----------------------------------------------|
| Item                             | Description                                  |
| <b>AIRH</b>                      | Air inlet boot, coupler and worm gear clamp. |
| <b>TEE-4</b>                     | 4" DWV tee intake with bird screen.          |
| <b>WIV-4*</b>                    | Sidewall inlet cap with bird screen.         |
| <b>AK-T4*†</b>                   | AIRH and TEE-4.                              |
| <b>RVC-4**</b>                   | Rooftop vent cap with bird screen.           |

\* Do not use with rooftop intake applications.

\*\* Do not use with sidewall intake applications.

† Used in agricultural applications.

| Intake Distances |           |
|------------------|-----------|
| 4" dia.          | 6" dia.   |
| 0' - 25'         | 25' - 40' |

**NOTE:** 4" to 6" adapter is field supplied.

### NOTES:

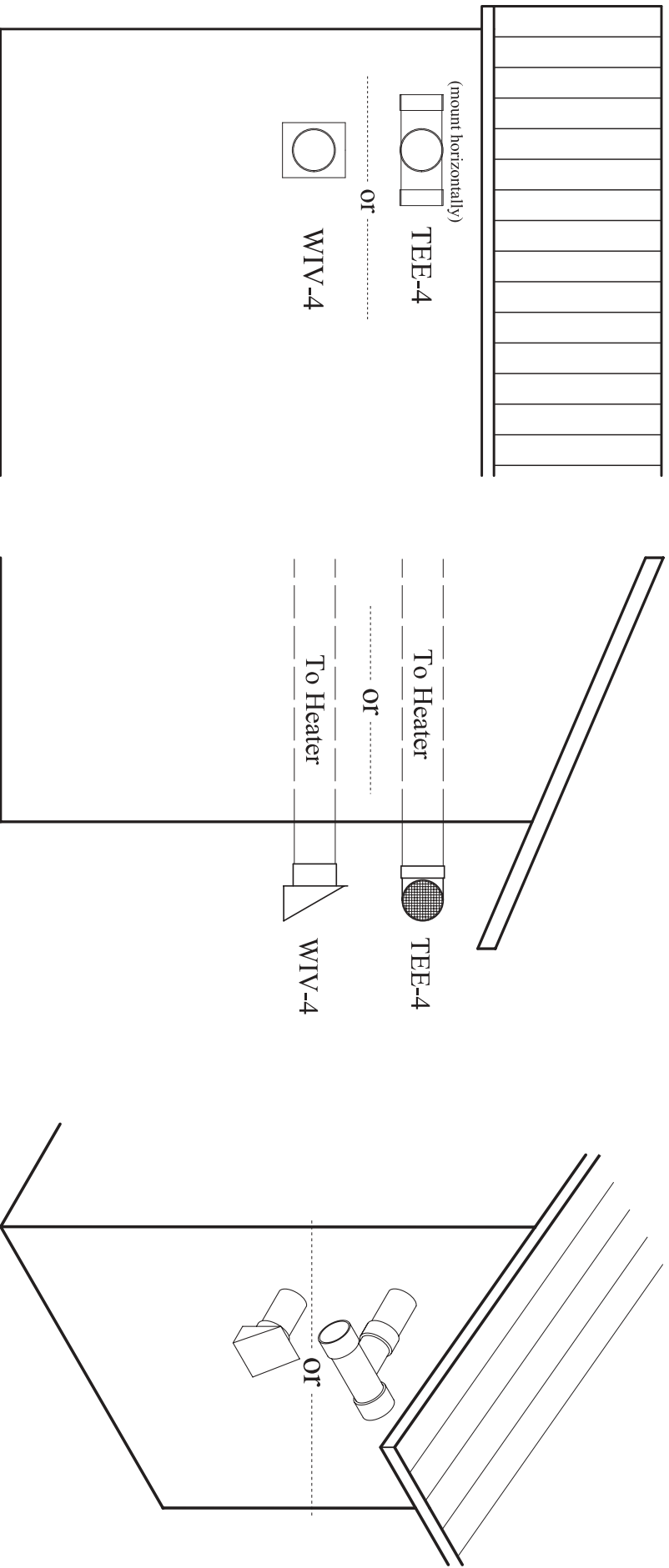
1. Combustion air should never be taken from an attic space, unless otherwise recommended by the factory.
2. Installer should never locate air intake next to a steam source or near a heater's exhaust (U-bend or multiple units).
3. Place TEE-4 a minimum of 2" above the curtain wall if applicable.
4. A maximum of two (2) 90° elbows are permitted in each system.



Printed in U.S.A.

© 2006 Detroit Radiant Products Co.  
 21400 Hoover Rd., Warren, MI 48089  
 T. (586) 756-0950 F. (586) 756-2626  
 www.detroitradiant.com  
 Form# LSH034-2M-2/06 (PP)

## Typical Sidewall Installations



### NOTES:

1. Combustion air should never be taken from an attic space, unless otherwise recommended by the factory.
2. Installer should never locate air intake next to a steam source or near a heater's exhaust (U-bend or multiple units).
3. Place TEE-4 a minimum of 2' above the curtain wall if applicable.
4. A maximum of two (2) 90° elbows are permitted in each system.